

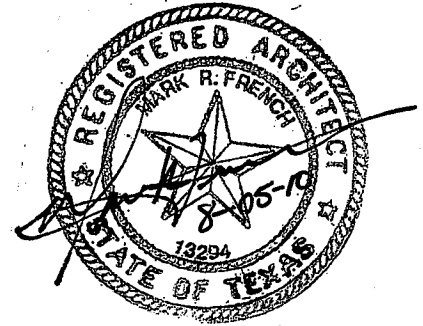


Bay Architects
 18201 Gulf Freeway
 Post Office Box 891209
 Houston, Texas 77289
 Tel 281.286.6605
 Fax 281.286.9606

ADDENDUM NO. 02
 August 05, 2010

Project: **Package A – 2010: Misc. Renovations and Additions to Cook Middle School and E.L.C. No. 2**
 Cypress-Fairbanks Independent School District

Prepared by: Bay Architects, Inc. (mail)
 18201 Gulf Freeway Post Office Box 891209
 Webster, Texas 77598 Houston, Texas 77289
 (281) 286-6605



Bay Project No.: 0930 (10-02-2196R-FP)

Prepared for: Prospective Proposers

PART A NOTICE TO PROPOSERS

01. Receipt of this Addendum shall be acknowledged on the Proposal Form. Failure to do so may subject Proposers to disqualification. Each Proposer shall make necessary adjustments and submit his proposal with full knowledge of all modifications, clarification, and supplemental data included therein.
02. This Addendum forms part of the Contract Documents and shall be incorporated integrally therewith. Where provisions of the following supplemental data differ from those of previously issued documents, this Addendum shall govern.
03. The following Contract Documents have been issued to date delineating the Work (Project):

Construction Documents	July 20, 2010
Addendum No. One	July 29, 2010
04. This Addendum consists of pages ADD-02-01 and 02; and eight attached sketches SSK1 thru SSK8, as prepared by CJG Engineers. Total pages included in this Addendum: 10 pages.

PART B CHANGES TO PRIOR ADDENDA

05. None

PART C CHANGES TO THE PROJECT MANUAL

06. None

PART D CHANGES TO THE DRAWINGS

"Changes may be indicated on the enclosed 8-1/2 x 11 and/or 11" x 17" sheets."

07. Sheet S4.1
 - a. Revise detail 10/S4.1. See attached sketch SSK1.
08. Sheet S4.2
 - a. For details 5 and 6/S4.2, CMU reinforcement should be revised to show #5 at 32" OC in lieu of #4 at 48" OC.

09. Sheet S5.1
- a. For details 1, 2, 3, 4, 9 and 10/S5.1, roof edge note should read L7x4x3/8" (LLV) CONT with 9/16" ϕ HOLE at 24" OC in lieu of the current note.
 - b. For details 2, 4, 9, 10/SF5.1, omit diagram showing bent plate lengths.
10. Sheet S5.2
- a. Add details 9/S5.2. See attached sketch SSK2.
 - b. Add details 10/S5.2. See attached sketch SSK3.

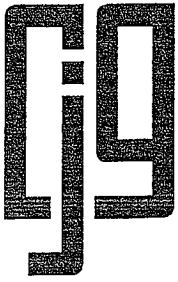
PART E NEW ISSUED DRAWING SHEETS

11. None

PART F RE-ISSUED DRAWING SHEETS

12. None

END OF ADDENDUM



CJG Engineers

Texas Engineering
Firm Reg. No. F-170
3200 Wilcrest Drive • Suite 305
Houston, Texas 77042
713.780.3345

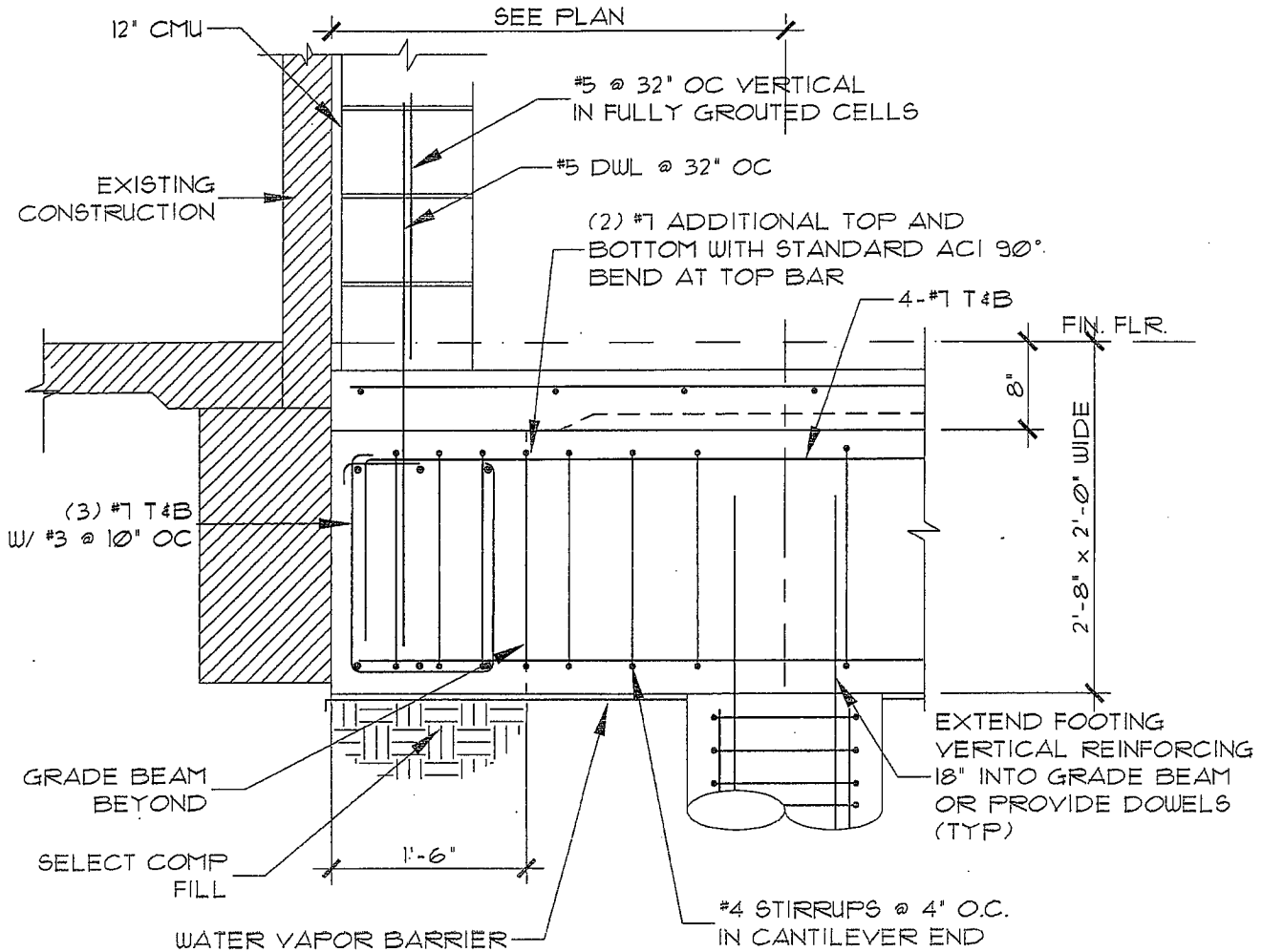
JOB 2101046 - PKG A: COOK MS & ELC #2

SHEET NO. SSKI OF SSKB

CALCULATED BY OJ DATE 08/04/10

CHECKED BY BG DATE 08/04/10

SCALE 3/4" = 1'-0"



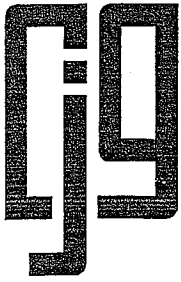
3

CANTILEVER GRADE BEAM

SCALE: 3/4" = 1'-0"

Britt Gardner

STATE OF TEXAS
BRITT GARDNER
90958
LICENSED PROFESSIONAL ENGINEER
08/04/10



CJG Engineers

Texas Engineering
Firm Reg. No. F-170
3200 Wilcrest Drive • Suite 305
Houston, Texas 77042
713.780.3345

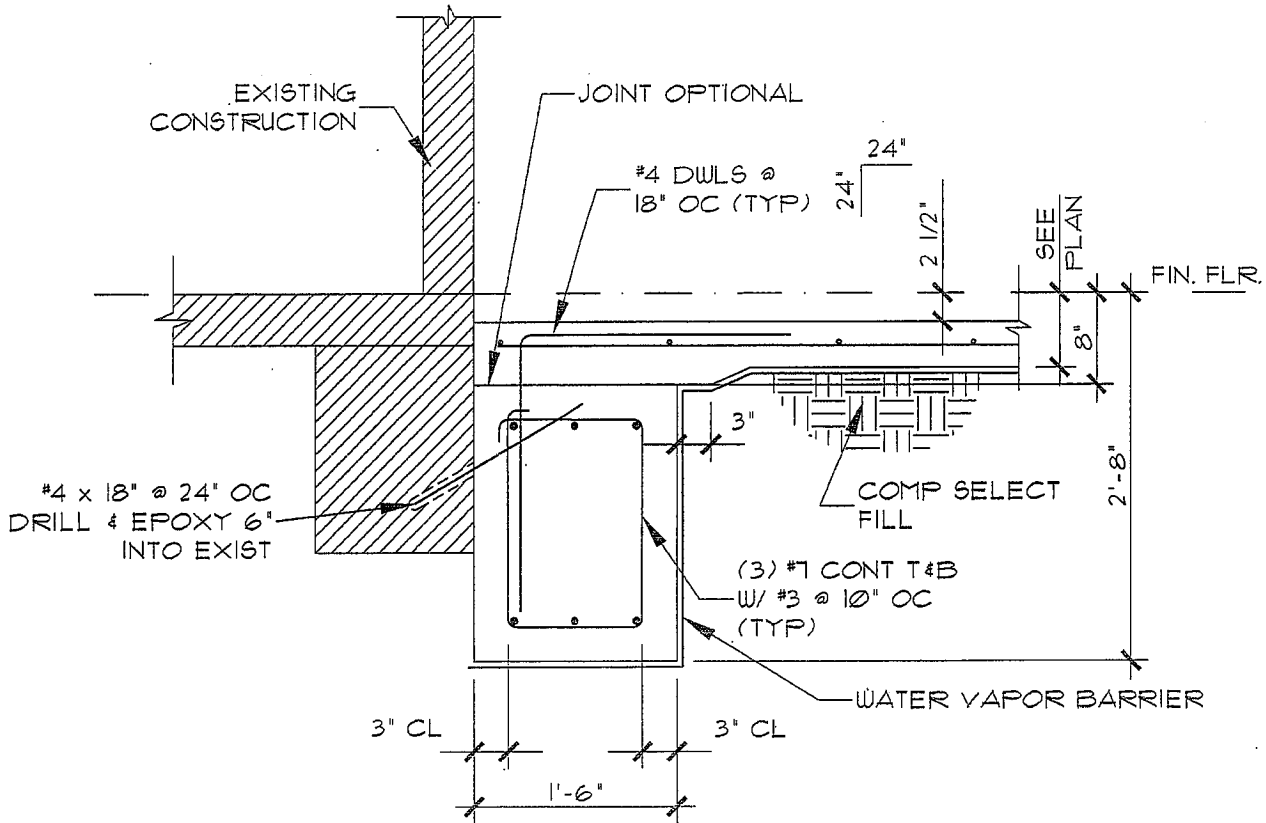
JOB 2101046 - PKG A: COOK MS & ELC #2

SHEET NO. SSK2 OF SSK8

CALCULATED BY OJ DATE 08/04/10

CHECKED BY BG DATE 08/04/10

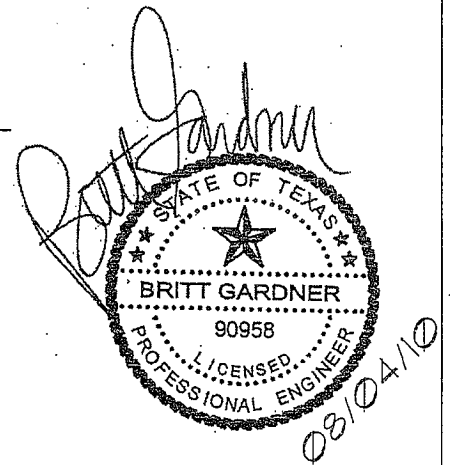
SCALE 3/4" = 1'-0"

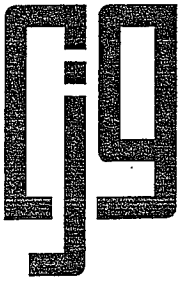


8

TYPICAL GRADE BEAM AT EXISTING

SCALE: 3/4" = 1'-0"





CJG Engineers

Texas Engineering
Firm Reg. No. F-170
3200 Wilcrest Drive · Suite 305
Houston, Texas 77042
713.780.3345

JOB 2101046 - PKG A: COOK MS & ELC #2

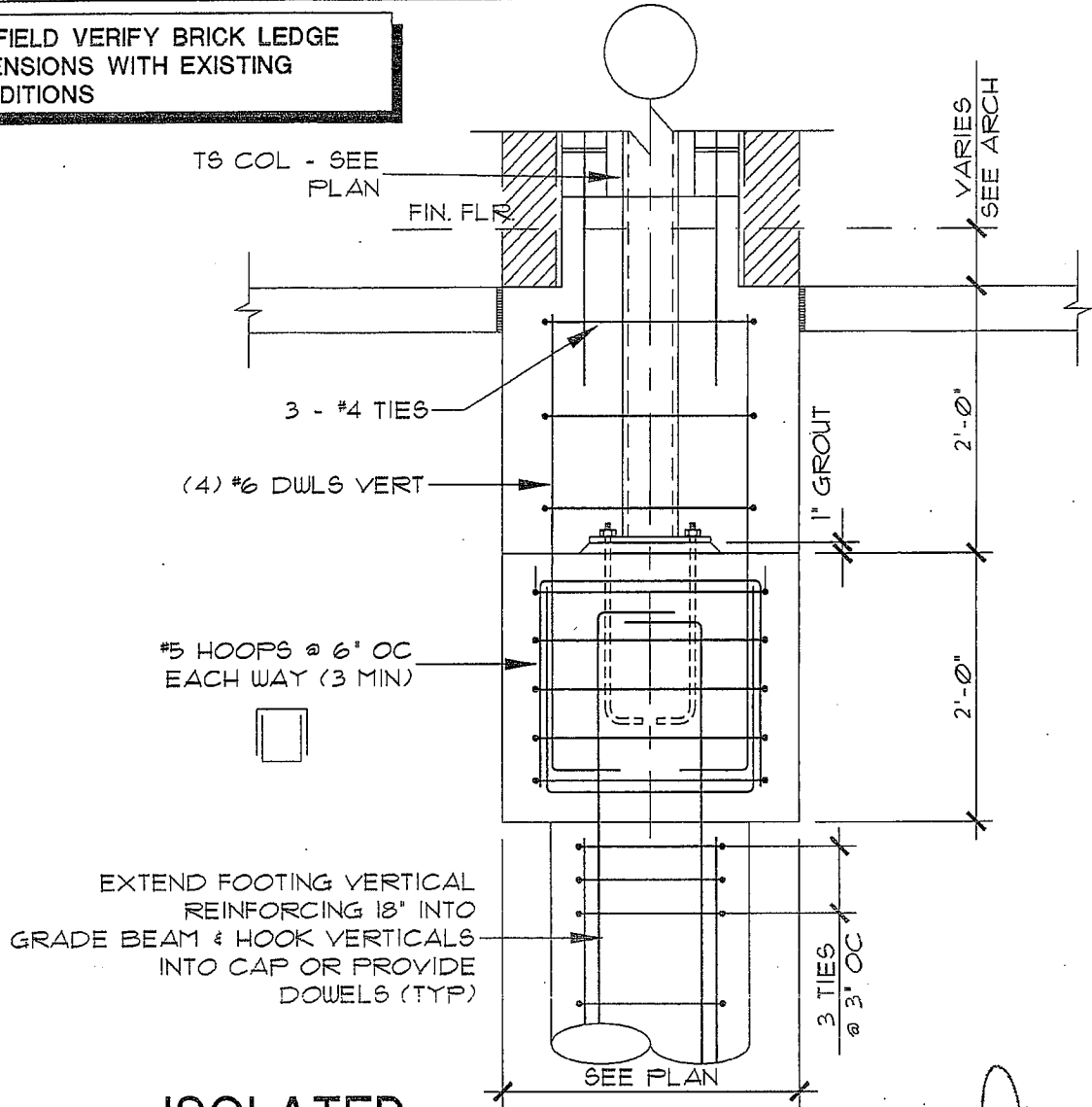
SHEET NO. 56K3 OF 56K8

CALCULATED BY OJ DATE 08/04/10

CHECKED BY BG DATE 08/04/10

SCALE 3/4" = 1'-0"

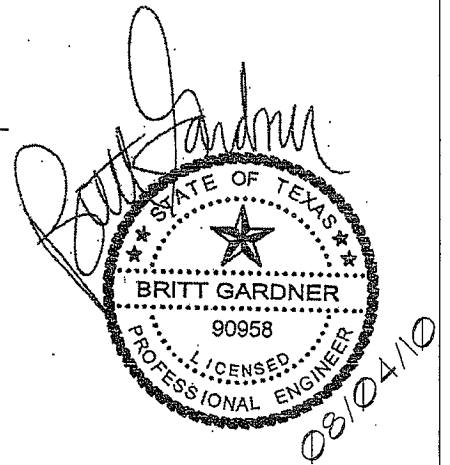
**GC FIELD VERIFY BRICK LEDGE
DIMENSIONS WITH EXISTING
CONDITIONS**

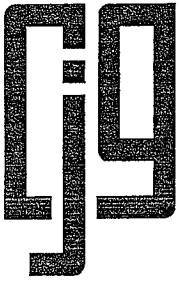


ISOLATED PIER CAP DETAIL

10

SCALE: 3/4" = 1'-0"





CJG Engineers

Texas Engineering
Firm Reg. No. F-170
3200 Wilcrest Drive Suite 305
Houston, Texas 77042
713.780.3345

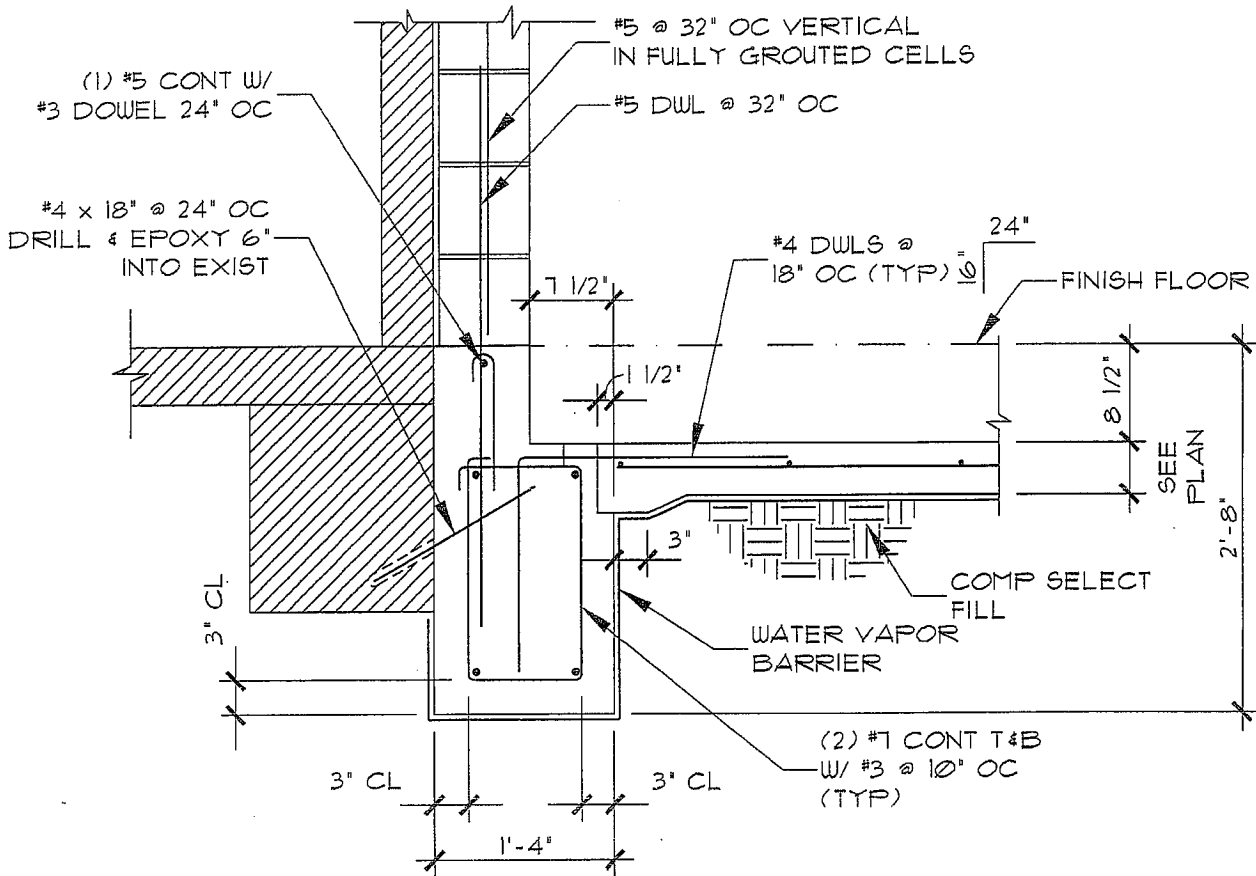
JOB 2101046 - PKG A: COOK MS & ELC #2

SHEET NO. SSK4 OF SSK8

CALCULATED BY OJ DATE 08/04/10

CHECKED BY BG DATE 08/04/10

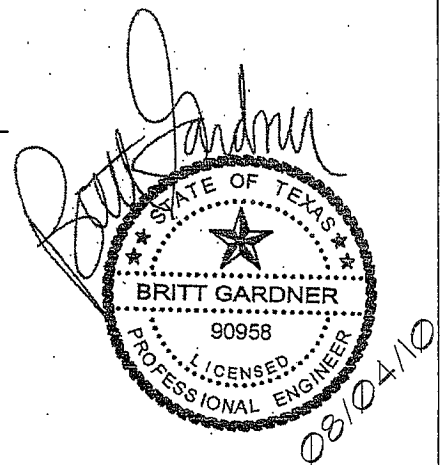
SCALE 3/4" = 1'-0"

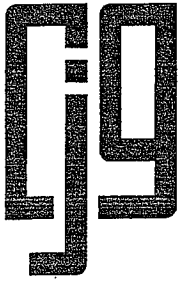


6

SLAB RECESS AT EXISTING

SCALE: 3/4" = 1'-0"





CJG Engineers

Texas Engineering
Firm Reg. No. F-170
3200 Wilcrest Drive · Suite 305
Houston, Texas 77042
713.780.3345

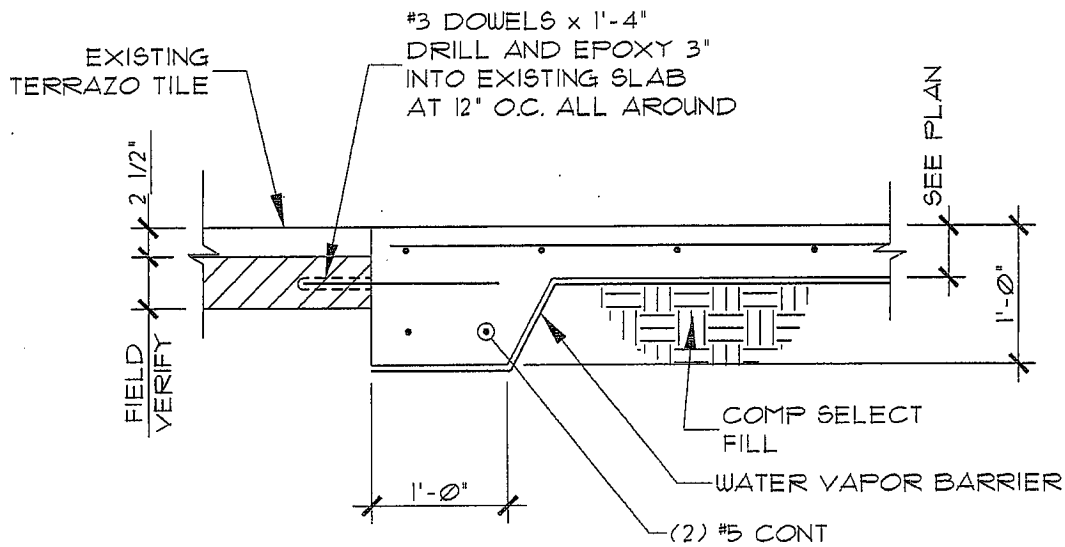
JOB 2101046 - PKG A: COOK MS & ELC #2

SHEET NO. SSK5 OF SSK8

CALCULATED BY OJ DATE 08/04/10

CHECKED BY BG DATE 08/04/10

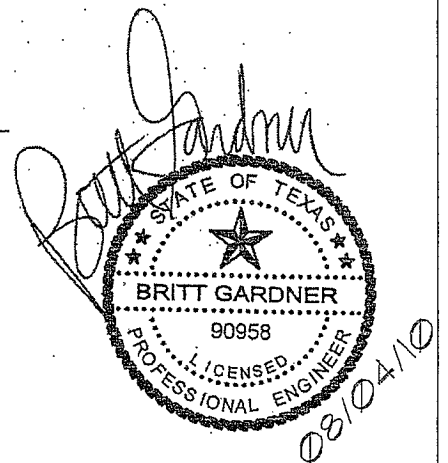
SCALE 3/4" = 1'-0"

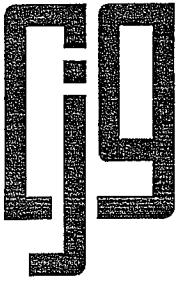


SLAB REPLACEMENT DETAIL AT EXISTING

8

SCALE: 3/4" = 1'-0"





CJG Engineers

Texas Engineering
Firm Reg. No. F-170
3200 Wilcrest Drive • Suite 305
Houston, Texas 77042
713.780.3345

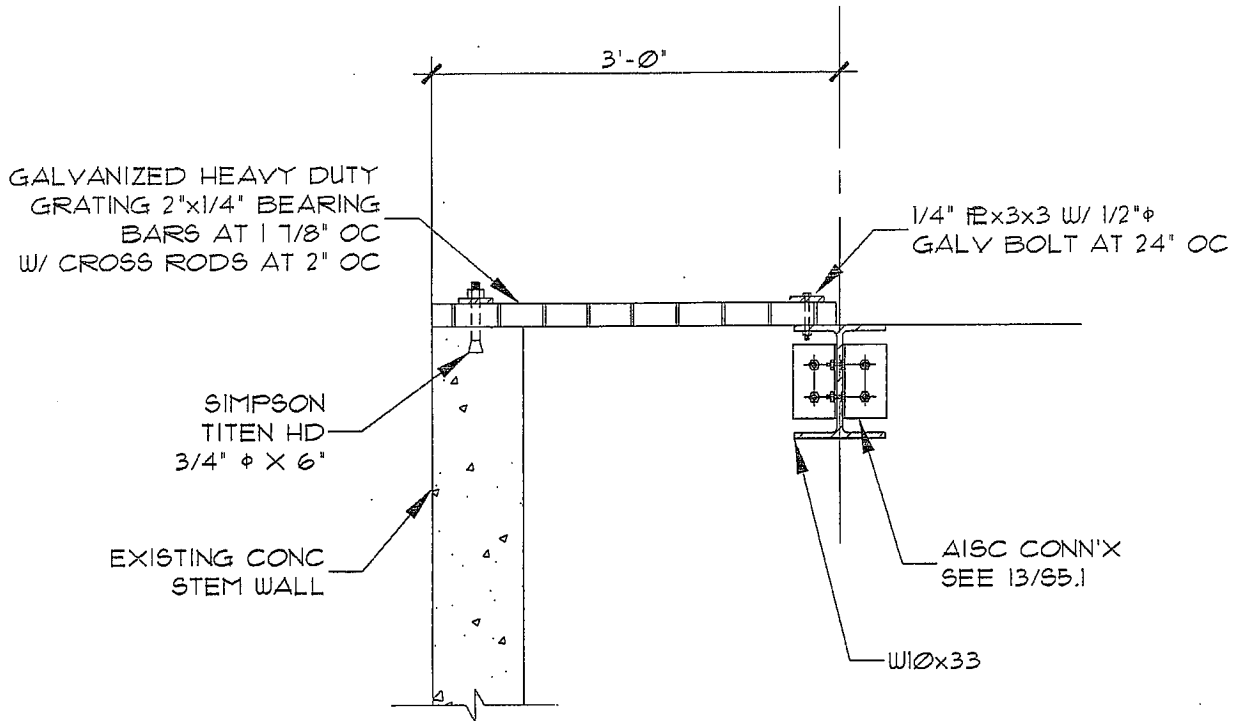
JOB 2101046 - PKG A: COOK MS & ELC #2

SHEET NO. SSK6 OF SSK8

CALCULATED BY OJ DATE 08/04/10

CHECKED BY BG DATE 08/04/10

SCALE 3/4" = 1'-0"



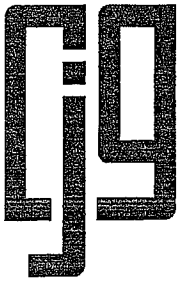
9

COOLING TOWER FRAMING DETAIL

SCALE: 3/4" = 1'-0"

Britt Gardner

08/04/10



CJG Engineers

Texas Engineering
Firm Reg. No. F-170
3200 Wilcrest Drive · Suite 305
Houston, Texas 77042
713.780.3345

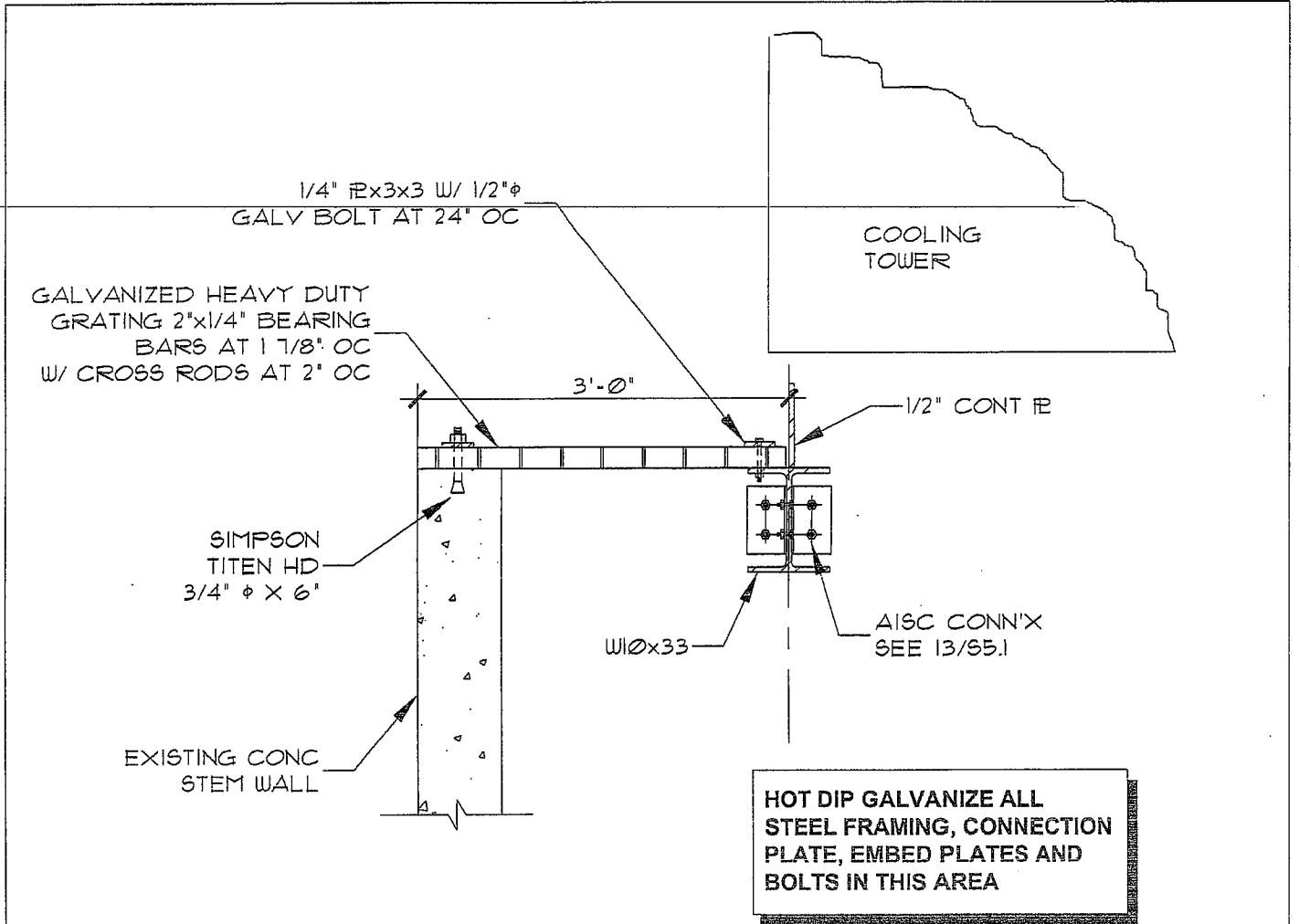
JOB 2101046 - PKG A: COOK MS & ELC #2

SHEET NO. SSK1 OF SSK8

CALCULATED BY OJ DATE 08/04/10

CHECKED BY BG DATE 08/04/10

SCALE 3/4" = 1'-0"



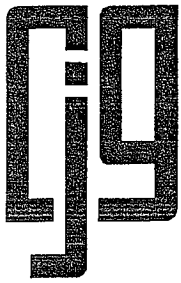
10

COOLING TOWER FRAMING DETAIL

SCALE: 3/4" = 1'-0"

Britt Gardner

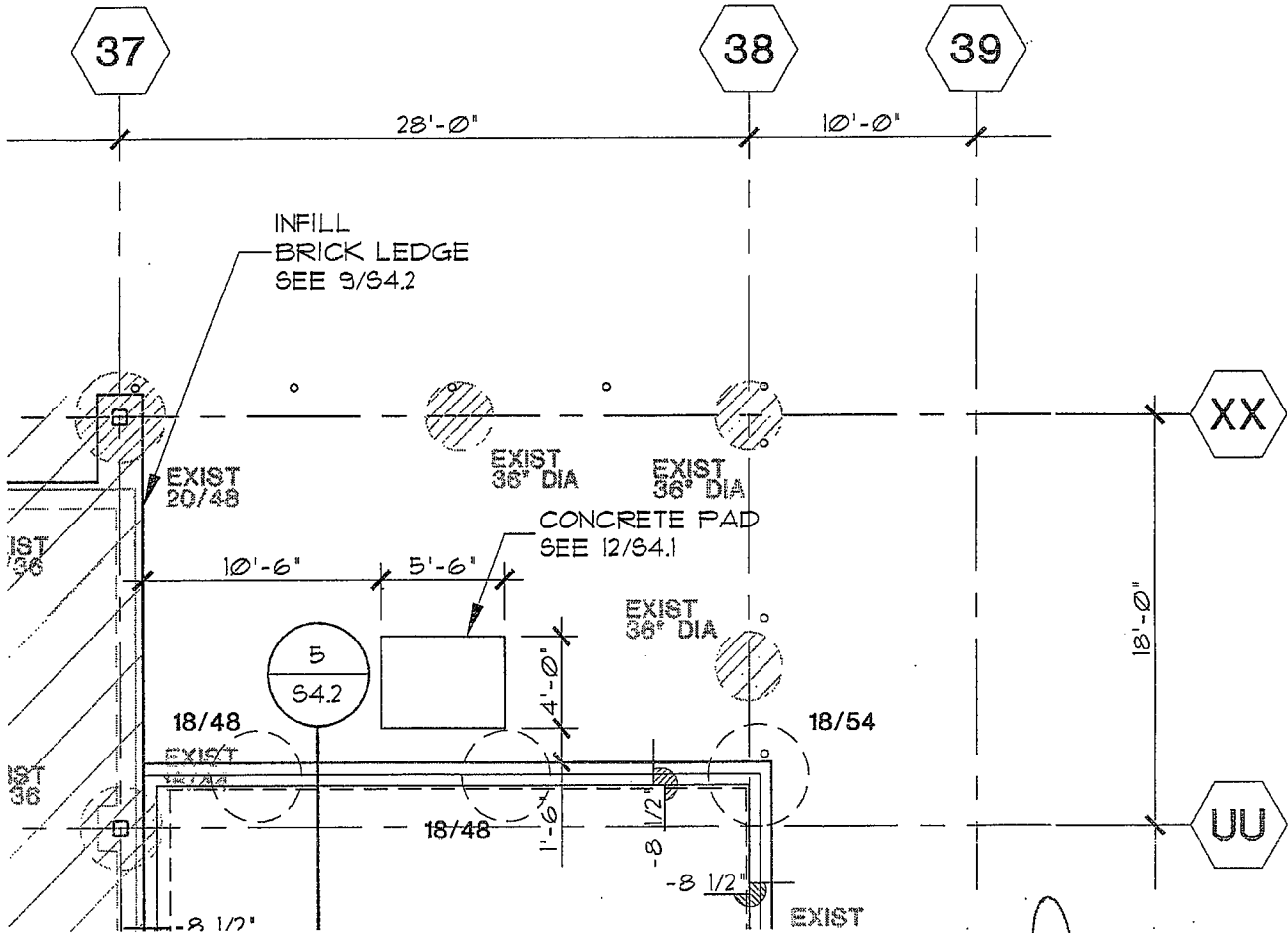
STATE OF TEXAS
BRITT GARDNER
90958
LICENSED PROFESSIONAL ENGINEER
08/04/10



CJG Engineers

Texas Engineering
 Firm Reg. No. F-170
 3200 Wilcrest Drive • Suite 305
 Houston, Texas 77042
 713.780.3345

JOB 2101046 - PKG A: COOK MS & ELC #2
 SHEET NO. SSK8 OF SSK8
 CALCULATED BY OJ DATE 08/04/10
 CHECKED BY BG DATE 08/04/10
 SCALE 3/4" = 1'-0"



Britt Gardner
 STATE OF TEXAS
 BRITT GARDNER
 90958
 LICENSED PROFESSIONAL ENGINEER
 08/04/10