



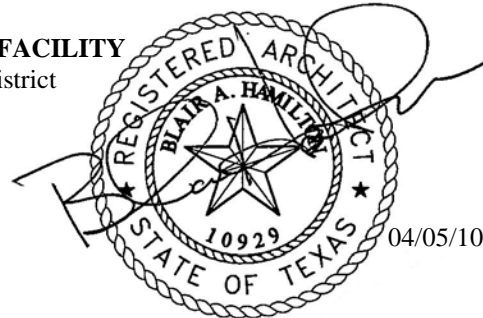
Bay Architects

18201 Gulf Freeway
Webster, Texas 77598
Tel 281.286.6605
Fax 281.286.9606

ADDENDUM NO. 03 5 April 2010

Project: **A NEW TRANSPORTATION FACILITY**
Dickinson Independent School District

Issued by: **Bay Architects, Inc.**
18201 Gulf Freeway
Webster, Texas 77598
281-286-6605



Project No.: **0806**

Prepared for: **Prospective Proposers**

PART A: NOTICE TO BIDDERS:

1. Receipt of this Addendum shall be acknowledged on the Proposal Form. Failure to do so may subject Bidders to disqualification. Each Proposer shall make necessary adjustments and submit his proposal with full knowledge of all modifications, clarification, and supplemental data included therein.
2. This Addendum forms part of the Contract Documents and shall be incorporated integrally therewith. Where provisions of the following supplemental data differ from those of previously issued documents, this Addendum shall govern.
3. The following Contract Documents have been issued to date delineating the Work (Project).

Contract Documents	18 March 2010
Addendum No. 01	April 1, 2010
Addendum No. 02	April 1, 2010

4. This Addendum consists of two (2) 8-1/2x11 written pages, and two (2) 30x42 attached full size sheets; **S1.1** and **S1.2**; as prepared by Concept Engineers. Total pages: 4 pages.

PART B: CHANGES TO PRIOR ADDENDA

5. None

PART C: CHANGES TO THE PROJECT MANUAL

6. Table of Contents: Section III. Index of Drawings, page 7, Structural: add the following sheets and descriptions.
 - a. S1.1 Foundation Plan & Details Child Nutrition Building.
 - b. S1.2 Roof Plan and Details Child Nutrition Building.

PART D: CHANGES TO THE DRAWINGS

7. None

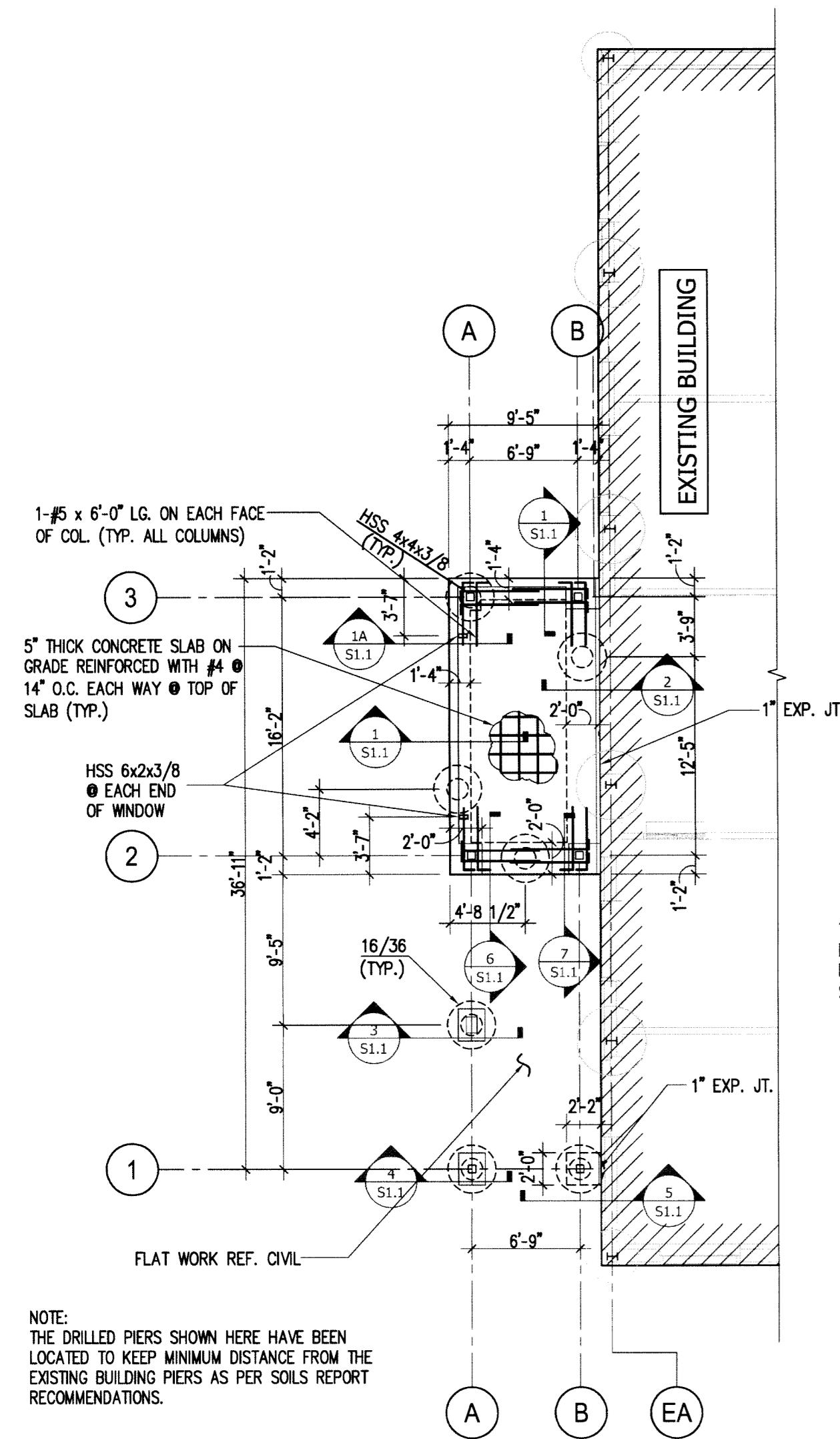
PART E: NEW ISSUED DRAWING SHEETS

8. Sheet S1.1 Foundation Plan & Details Child Nutrition Building: Add foundation plan and details of entrance area of Child Nutrition Building. Also add the foundation plan and details to support fuel tank at fuel dispensing area.
9. Sheet S1.2 Roof Plan and Details Child Nutrition Building: Add roof framing plan and details of entrance area of Child Nutrition Building.

PART F: RE-ISSUED DRAWING SHEET

10. None

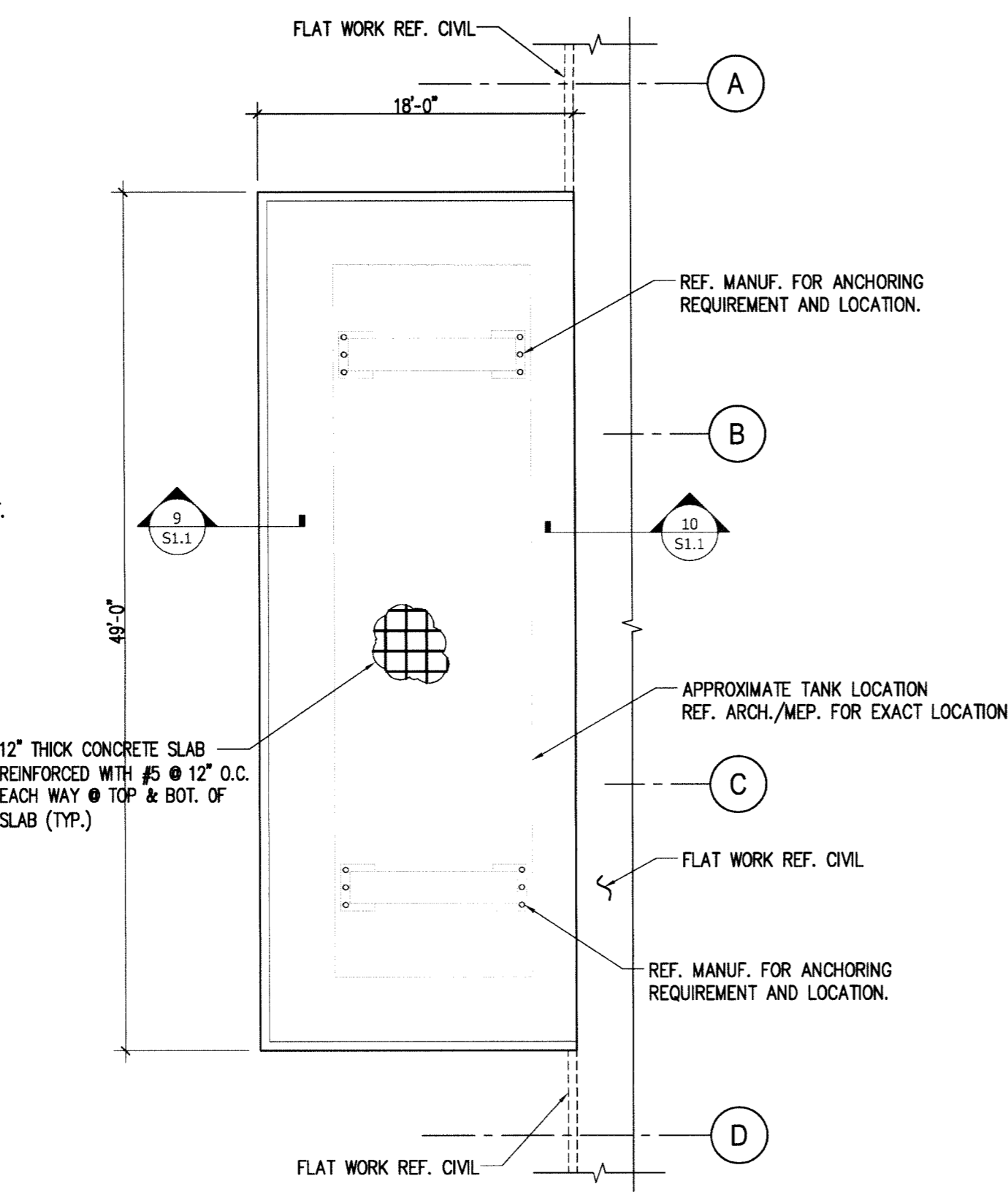
END OF ADDENDUM



NOTE: THE DRILLED PIERS SHOWN HERE HAVE BEEN LOCATED TO KEEP MINIMUM DISTANCE FROM THE EXISTING BUILDING PIERS AS PER SOILS REPORT RECOMMENDATIONS.

- PLAN NOTES:
- SEE SHEET S3.0 FOR GENERAL NOTES
 - SEE SHEET S3.0 FOR PIER DEPTH AND REINFORCEMENT REQUIREMENTS.
 - ALL PIERS SHOWN ARE TYPICAL. 16/36 WHERE 16 INDICATES SHAFT DIAMETER AND 36 INDICATES BELL DIAMETER.

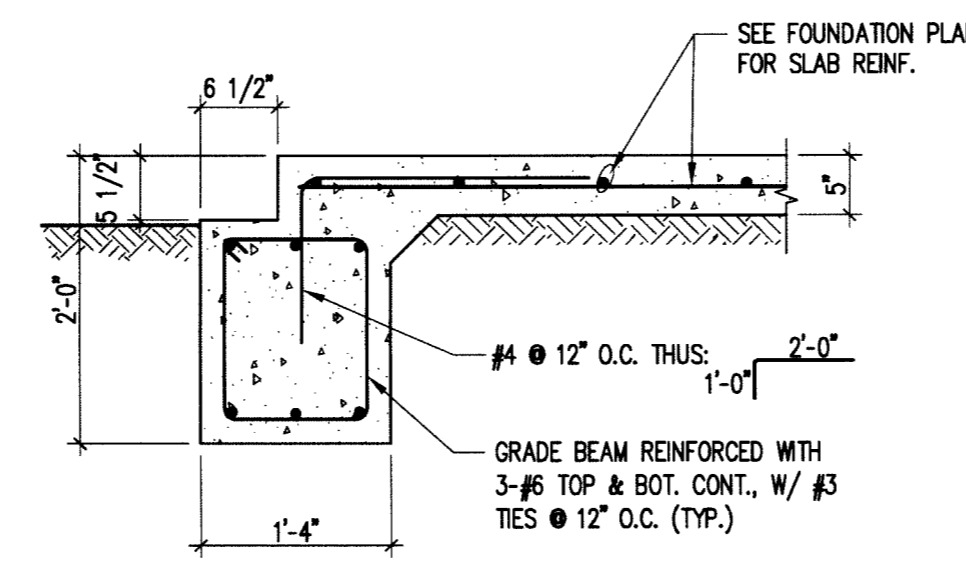
1 FOUNDATION PLAN
Scale: 1/8" = 1'-0"



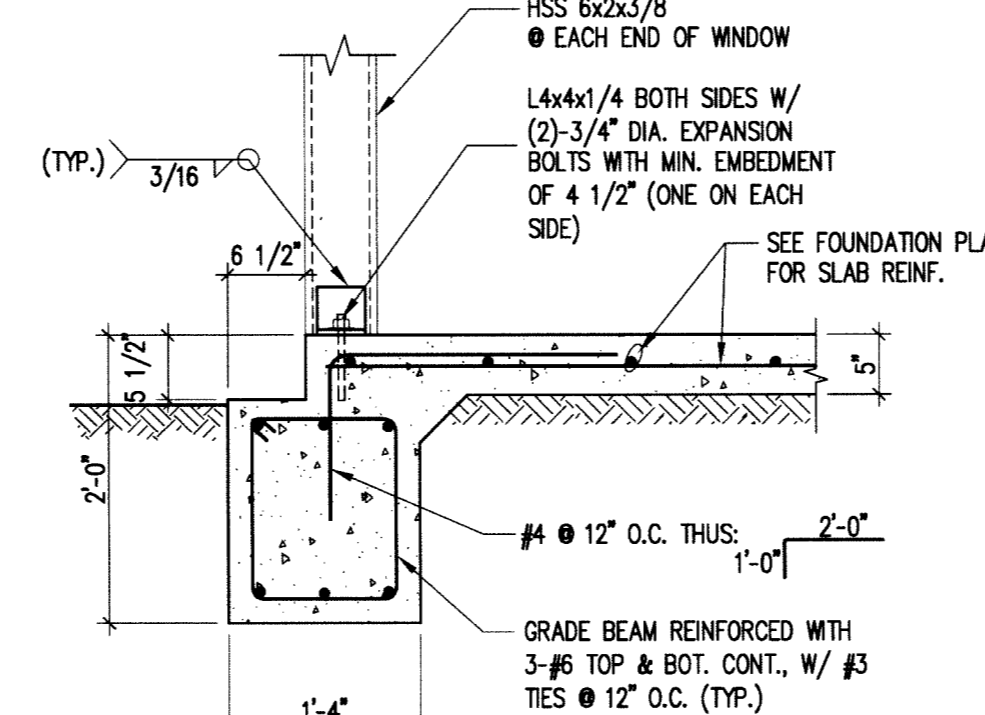
PLAN NOTES:

- SEE SHEET S0.0 FOR GENERAL NOTES
- REFER SOILS REPORT FOR SUBGRADE PREPARATION UNDER THE SLAB.

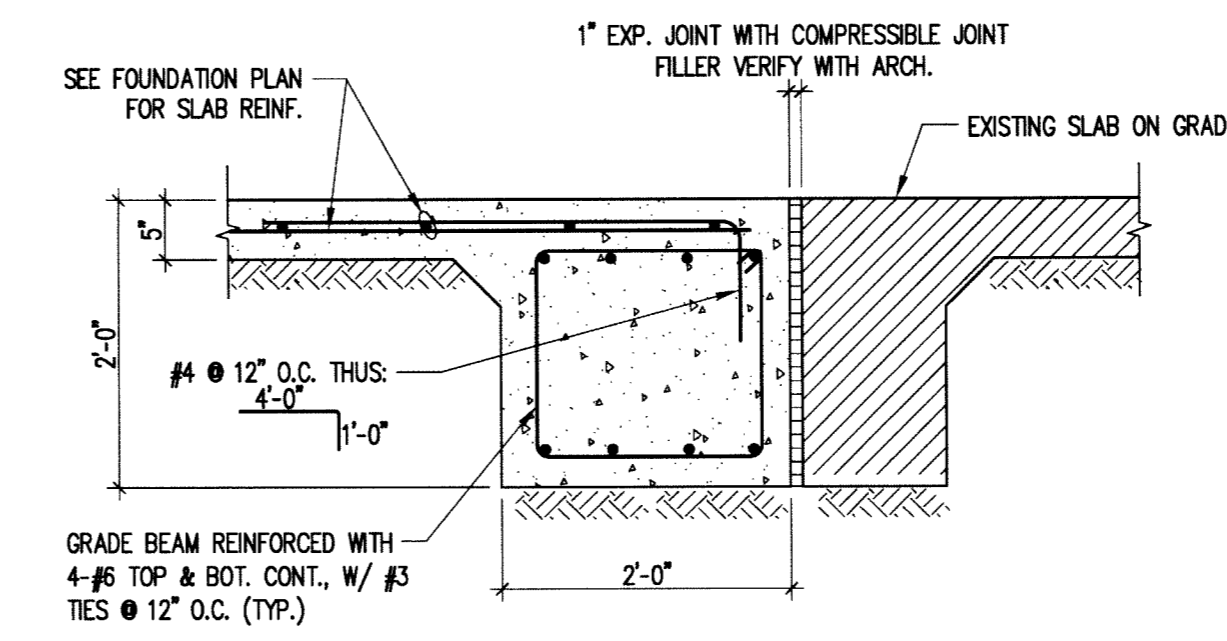
1A FOUNDATION PLAN FOR FUEL TANK
REF.: C105 FOR SITE LOCATION Scale: 1/8" = 1'-0"



1 DETAIL 3/4" = 1'-0"

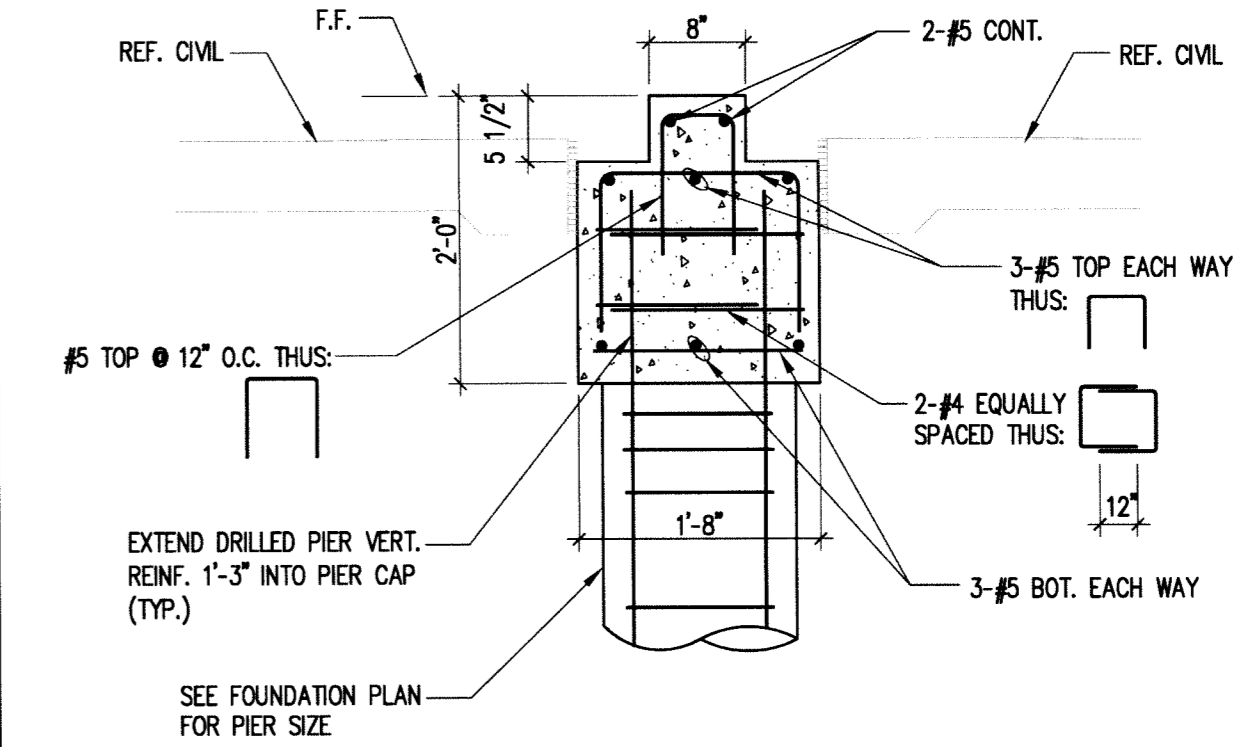


1A DETAIL 3/4" = 1'-0"

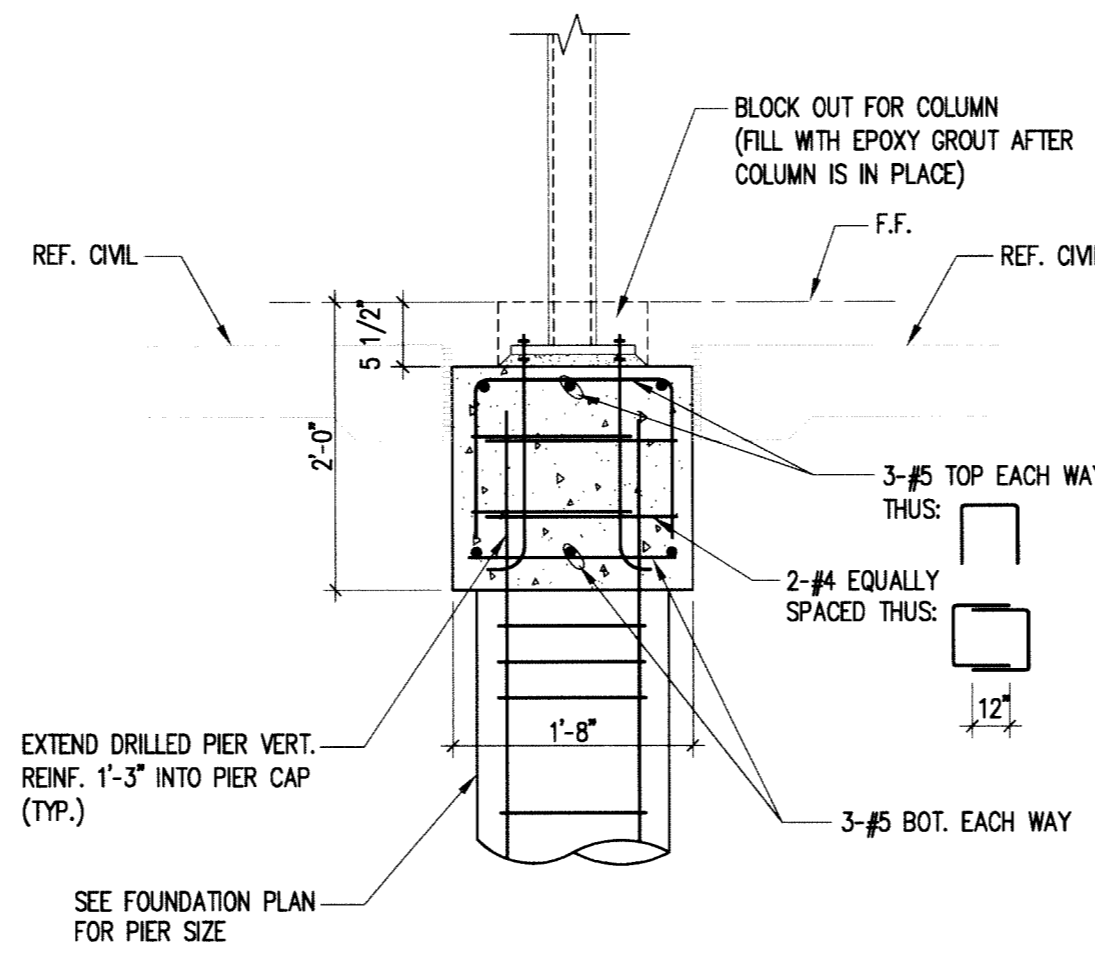


NOTE: CARE SHALL BE TAKEN WHILE EXCAVATING FOR NEW GRADE BEAM TO NOT UNDERMINE THE EXISTING FOUNDATION

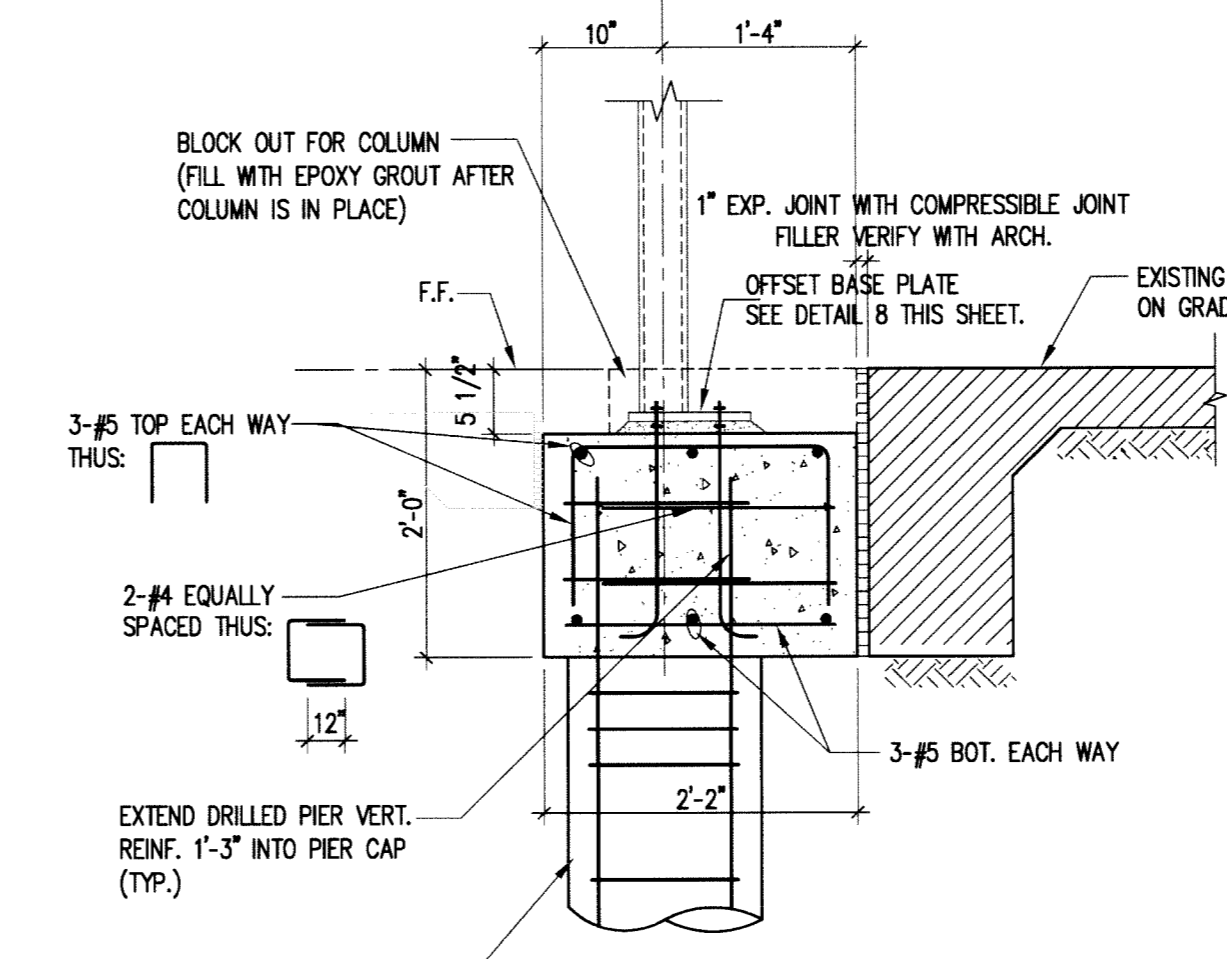
2 DETAIL 3/4" = 1'-0"



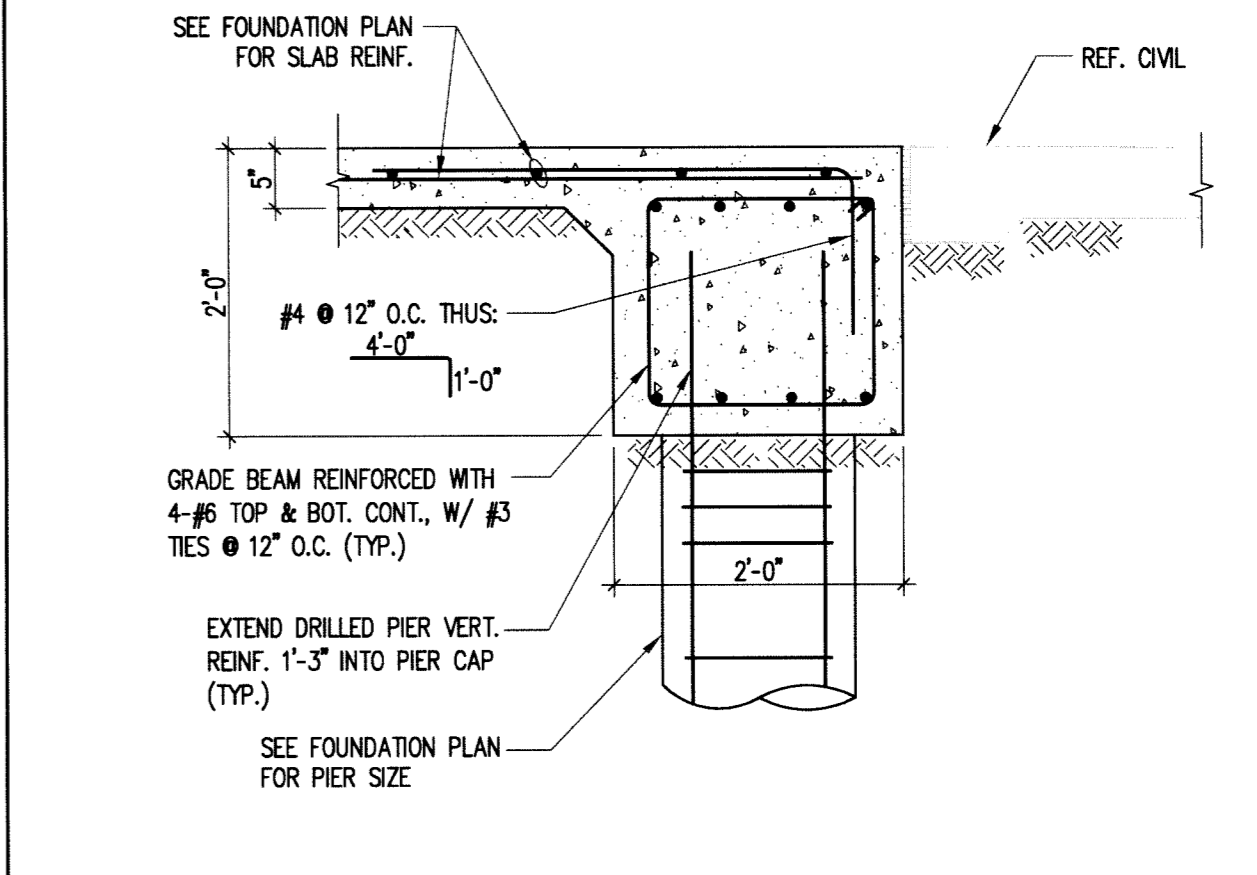
3 DETAIL 3/4" = 1'-0"



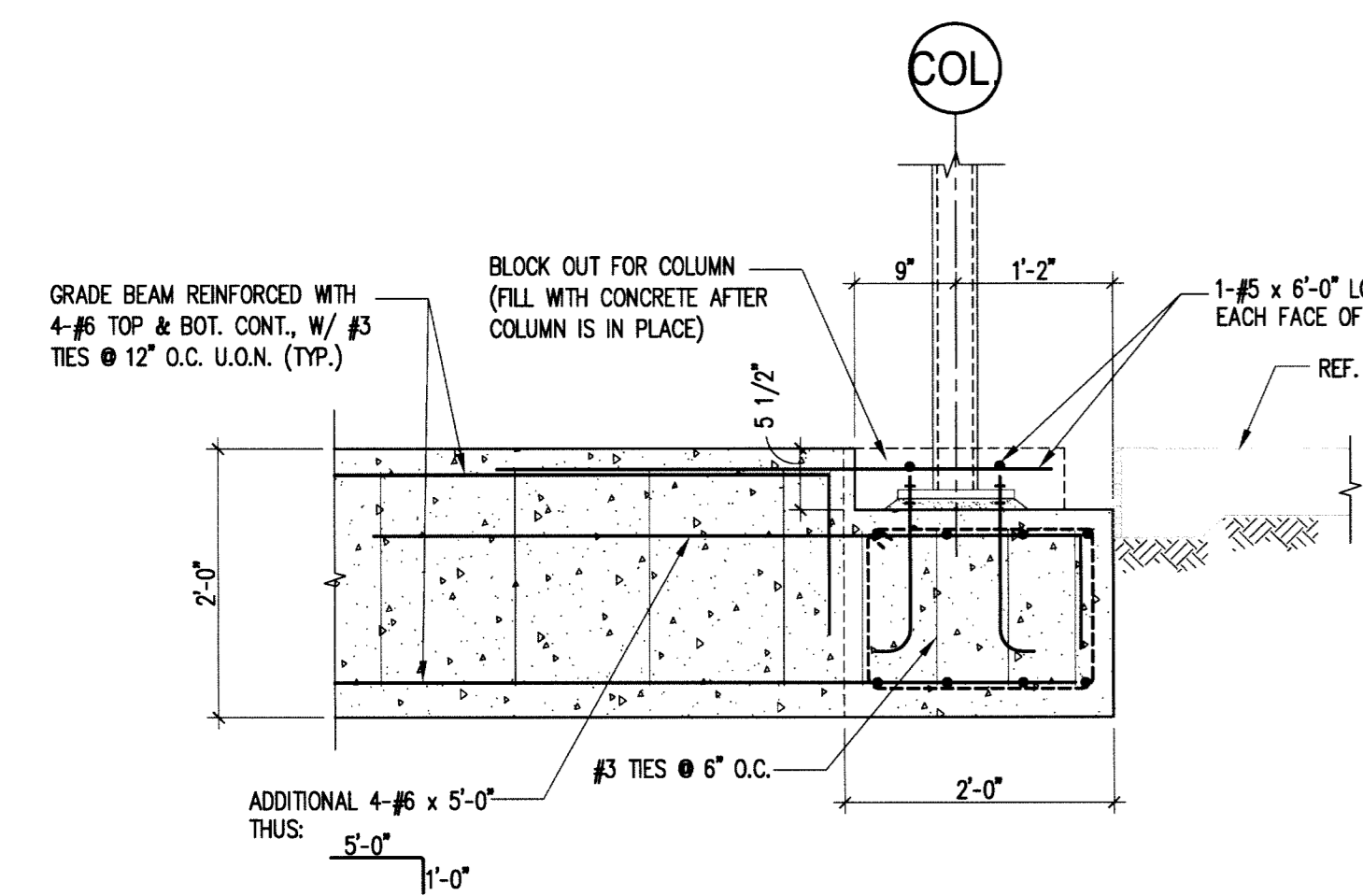
4 DETAIL 3/4" = 1'-0"



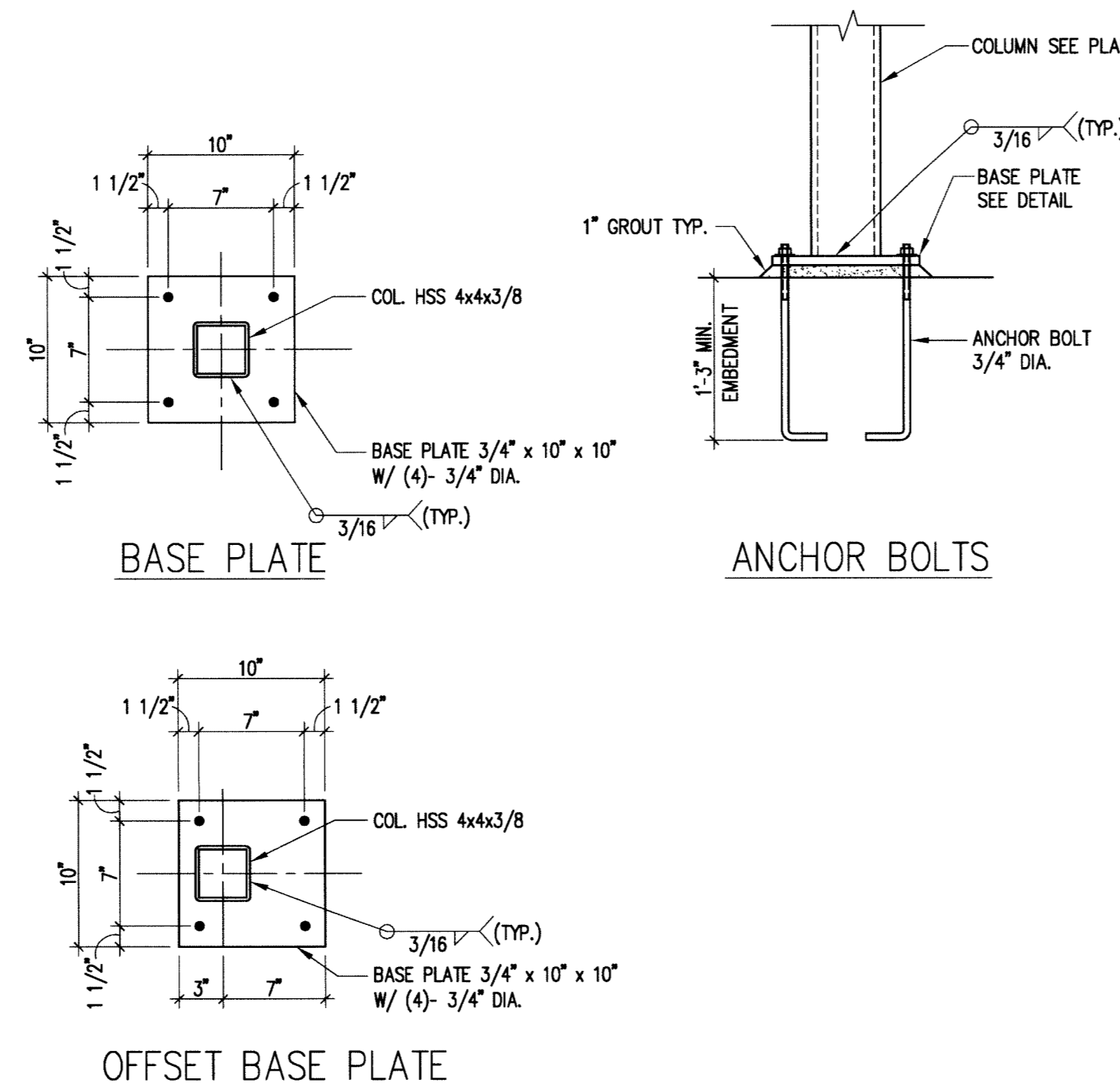
5 DETAIL 3/4" = 1'-0"



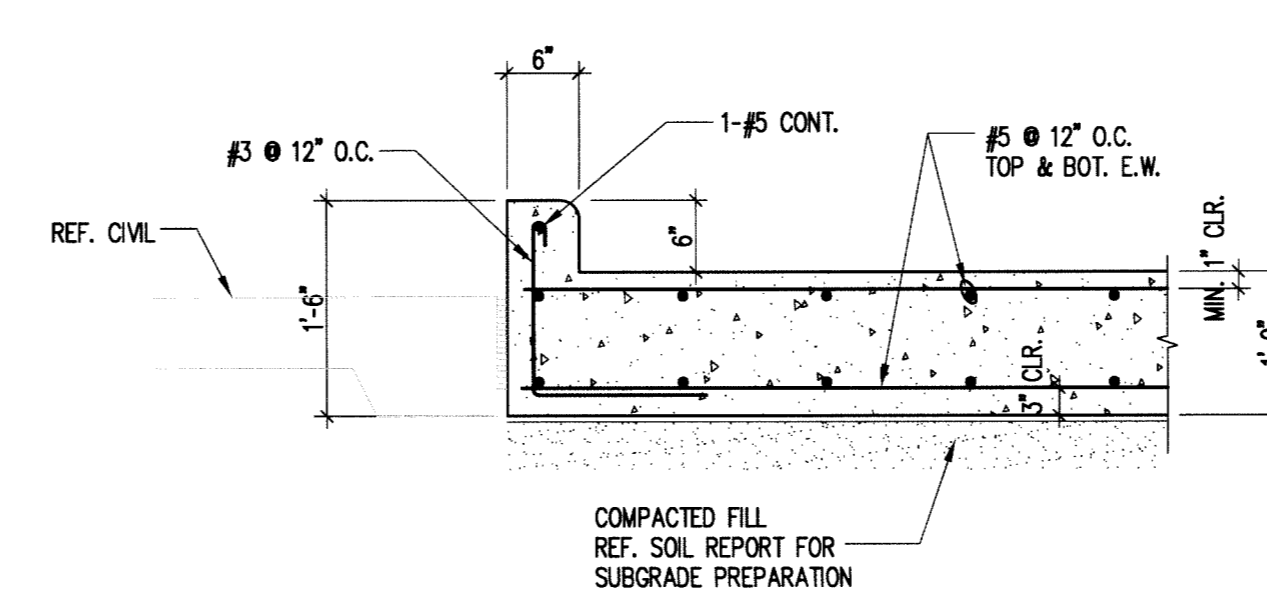
6 DETAIL 3/4" = 1'-0"



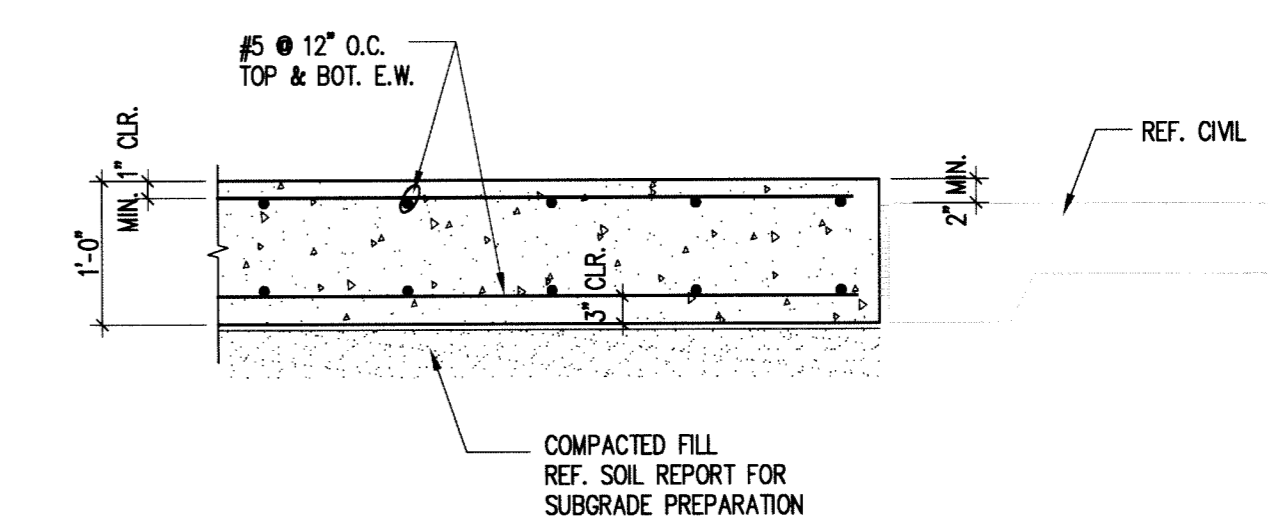
7 DETAIL 3/4" = 1'-0"



8 DETAIL NOT TO SCALE



9 DETAIL 3/4" = 1'-0"



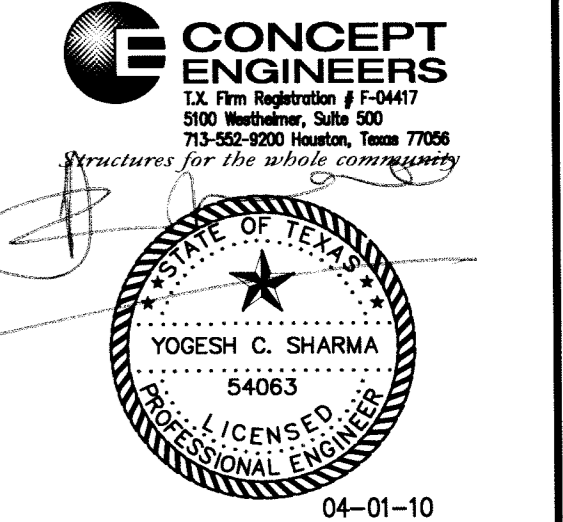
10 DETAIL 3/4" = 1'-0"

CONSULTANTS

CIVIL
Brooks & Sparks, Inc.
21020 PARK ROW
KATY, TEXAS 77449
PH: (281) 578-9595
FAX: (281) 578-9596

STRUCTURAL
Concept Engineers
5100 WESTHEIMER, SUITE 500
HOUSTON, TEXAS 77056
PH: (713) 552-9200
FAX: (713) 552-9229

MEP
KME
10930 W. SAM HOUSTON PARKWAY
SUITE 900
HOUSTON, TEXAS 77064
PH: (281) 864-1900
FAX: (281) 864-1912



New Transportation Facility
Dickinson Independent School District

BAY ARCHITECTS
18201 GULF FREEWAY
P.O. BOX 891209
HOUSTON, TEXAS 77289
281.286.6605

PROJECT NO. 0806	DATE 4.01.2010
DRAWN Q.N.	CHECKED A.R.
DATE 4.01.2010	ISSUE ADDENDUM # 3

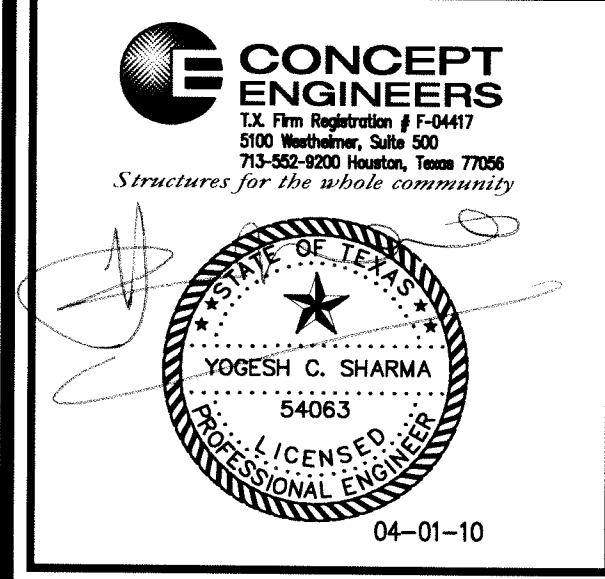
S1.1
FOUNDATION PLAN & DETAILS
CHILD NUTRITION BUILDING

CONSULTANTS

CIVIL
 Brooks & Sparks, Inc.
 21020 PARK ROW
 KATY, TEXAS 77449
 PH: (281) 578-9665
 FAX: (281) 578-9686

STRUCTURAL
 Concept Engineers
 5100 WESTHEIMER, SUITE 500
 HOUSTON, TEXAS 77056
 PH: (713) 552-9200
 FAX: (713) 552-9229

MEP
 KME
 10900 W. SAM HOUSTON PARKWAY
 SUITE 900
 HOUSTON, TEXAS 77064
 PH: (281) 684-1900
 FAX: (281) 684-1912



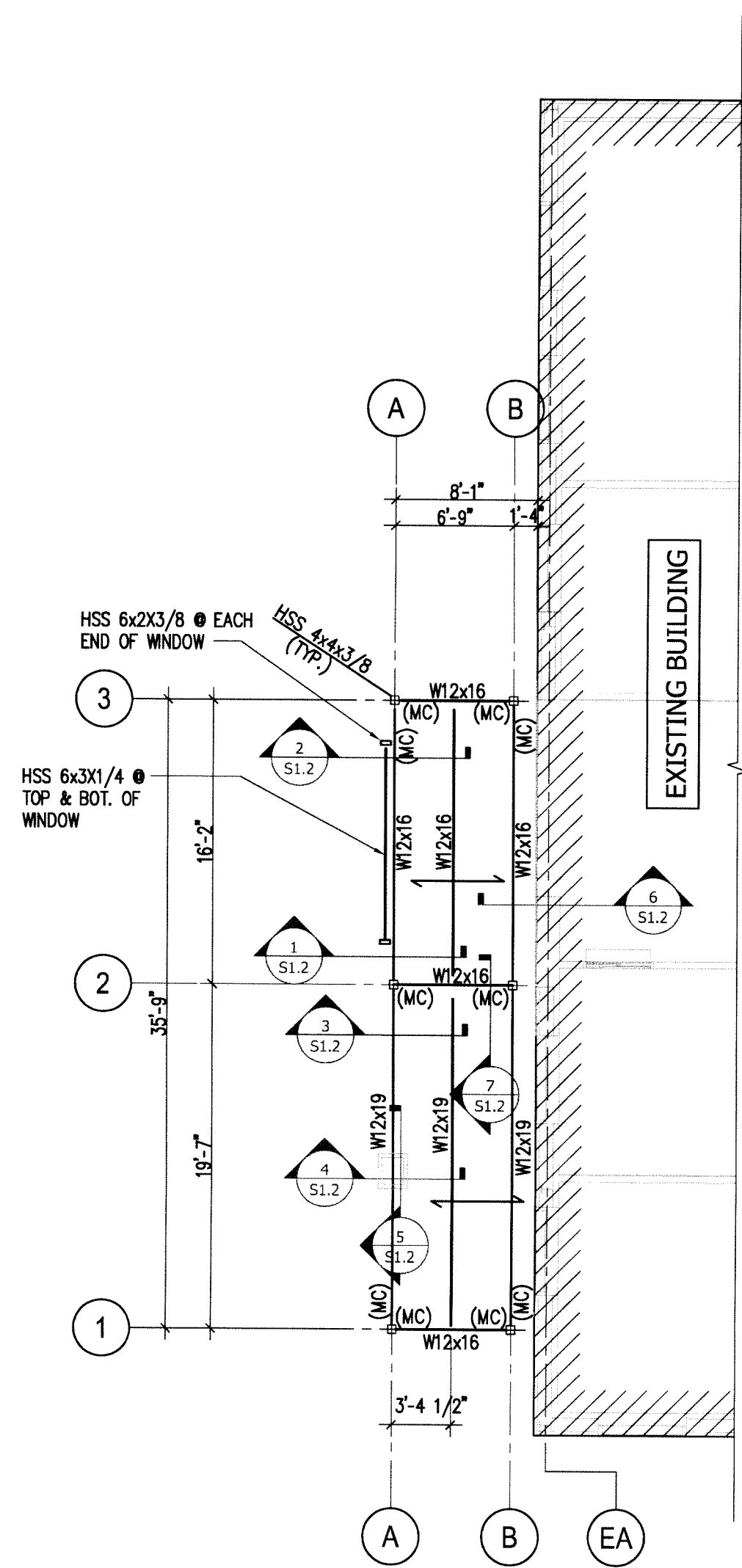
New Transportation Facility
 Dickinson Independent School District



PROJECT NO. 0806
 DATE 4.01.2010
 DRAWN Q.N.
 CHECKED A.R.

DATE 4.01.2010
 ISSUE ADDENDUM # 3

S1.2
 ROOF PLAN & DETAILS
 CHILD NUTRITION BUILDING



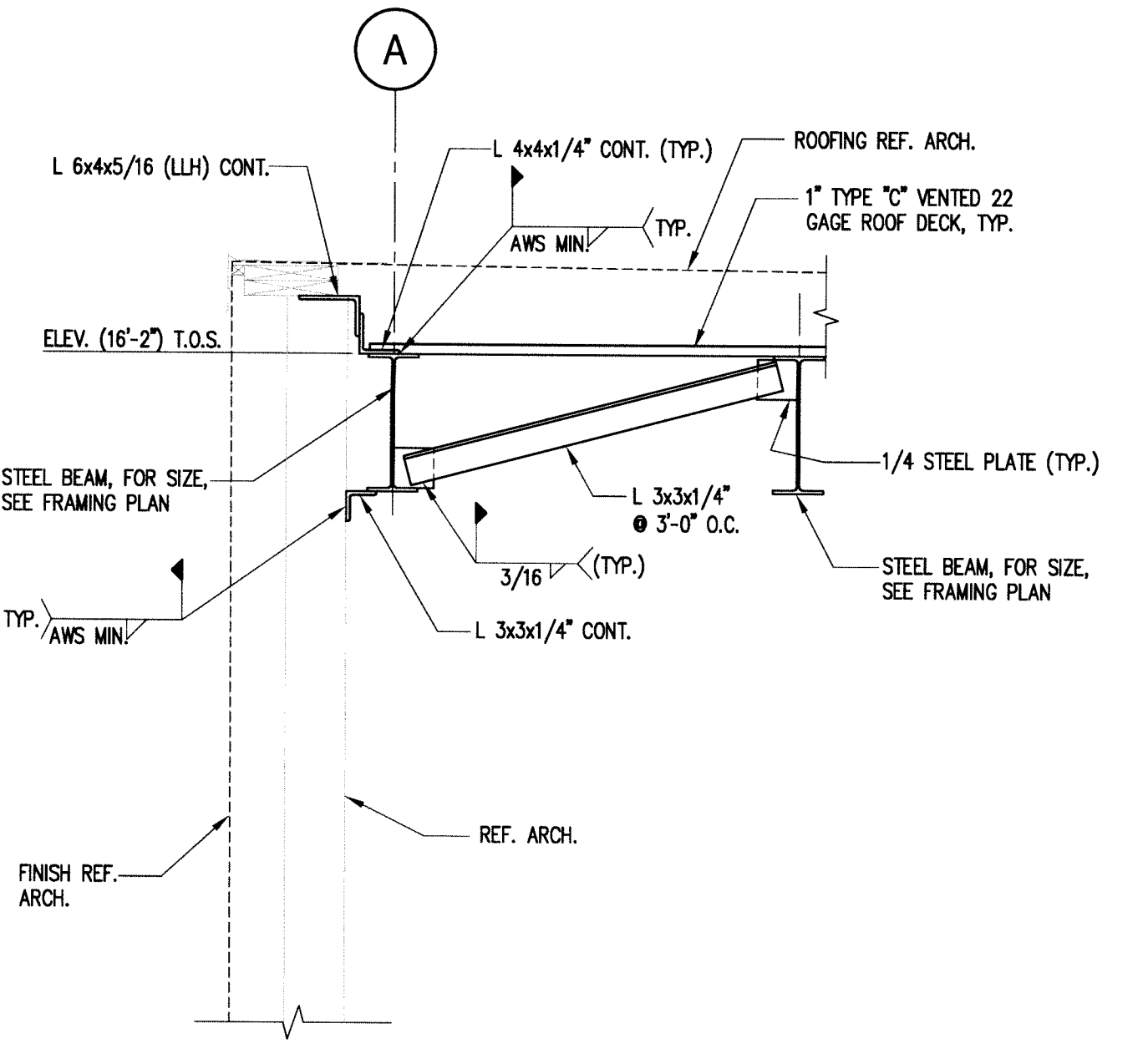
NOTE: SEE SHEET S0.0 FOR GENERAL NOTES EXCEPT ROOF STEEL NOTES AS SHOWN ON THIS SHEET.
 → INDICATES DIRECTION OF METAL DECK

2 ROOF PLAN
 Scale: 1/8" = 1'-0"

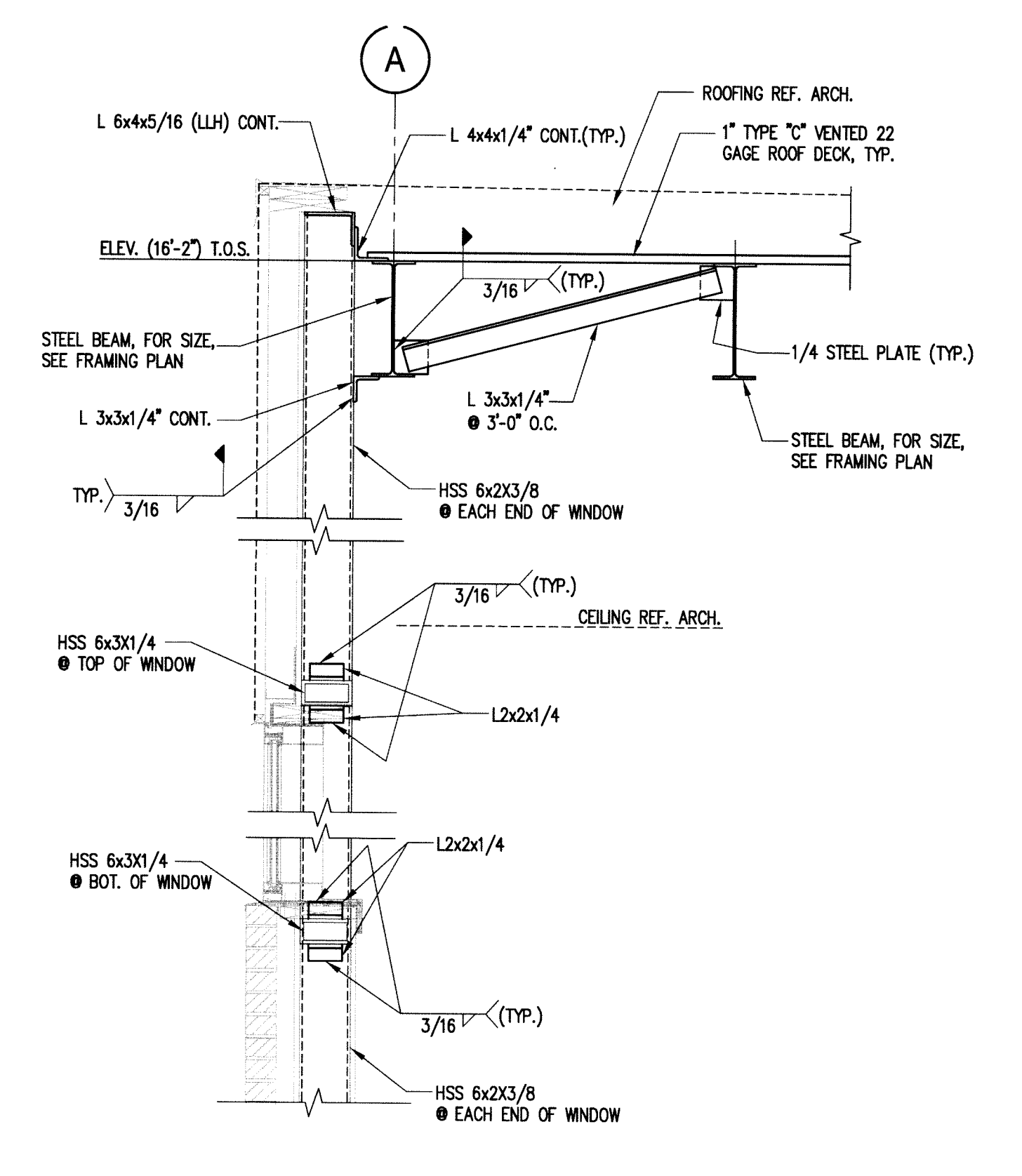
ROOF STEEL NOTES

- ROOF DECK TO BE "VENTED 1" CONFORM 22 GAGE, GALVANIZED STEEL DECK OR EQUAL (SEE NOTE NO. 2 FOR DECK SPECIFICATIONS). MINIMUM SECTION PROPERTIES: $t = 0.0295 \text{ in}^2$ $I_p = 0.073 \text{ in}^4$ $S_p = 0.130 \text{ in}^3$
- ROOF DECK SPECIFICATIONS:
 METAL DECK SHALL BE TEMPERED COLD ROLLED STEEL. THE STEEL SHALL CONFORM TO ASTM A653-94 (80 KSI) WITH A G90 (Z80) COATING CLASS FOR GALVANIZED MATERIAL. END LAPS AND SIDE LAPS ARE TO BE PER THE MANUFACTURER'S RECOMMENDATIONS.
- ATTACH DECK TO STEEL SUPPORTS USING #12 TEK SCREWS IN A 3/4" PATTERN WITH (4) #10 TEK SCREWS PER SIDE LAP EACH SPAN TO ACHIEVE A MINIMUM DIAPHRAGM SHEAR OF 400 PLF.
- PROVIDE METAL DECK SUPPORT AT ALL BUILDING CORNERS, SKIRMED BUILDING LINES WHERE SUPPORTING STRUCTURE BEARS PERPENDICULAR AND AROUND ALL FRAMED OPENINGS WITH L 4"x4"x1/4" UNLESS NOTED OTHERWISE. INSTALL 6" WIDE x 12 GAGE SHEET STEEL COVER PLATES IN VALLEYS, RIDGES OR WHERE DECK CHANGES DIRECTION. SPOT WELD IN PLACE AT 12" O.C. MAXIMUM. CONTRACTOR TO COORDINATE WITH STEEL DECK SUPPLIER TO PROVIDE ALL NECESSARY DECK SUPPORTS REQUIRED TO ADEQUATELY SUPPORT THE METAL DECK.
- REFERENCE ARCHITECTURAL, MECHANICAL, ELECTRICAL AND PLUMBING DRAWINGS FOR ADDITIONAL INFORMATION ON OPENINGS, MECHANICAL AND PLUMBING EQUIPMENT AND ROOF SLOPES.

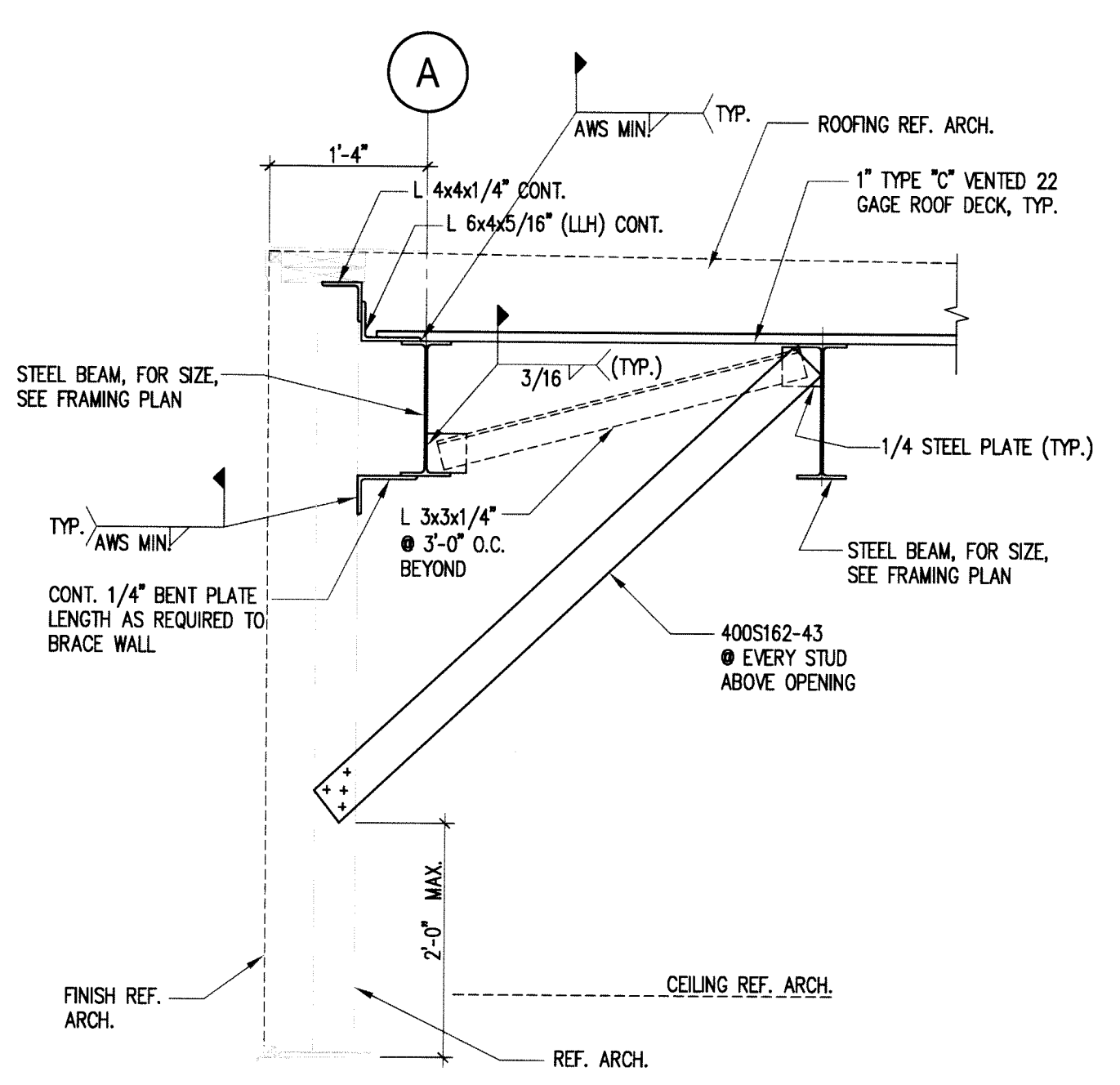
BRICK VENEER LINTEL SCHEDULE	
MAXIMUM SPAN	SIZE
0'-0" TO 3'-11"	Δ 3" x 3 1/2" x 1/4" (L.L.H.)
4'-0" TO 4'-11"	Δ 3 1/2" x 3 1/2" x 1/4"
5'-0" TO 5'-11"	Δ 4" x 3 1/2" x 5/16" (L.L.V.)
6'-0" TO 6'-11"	Δ 5" x 3 1/2" x 5/16" (L.L.V.)



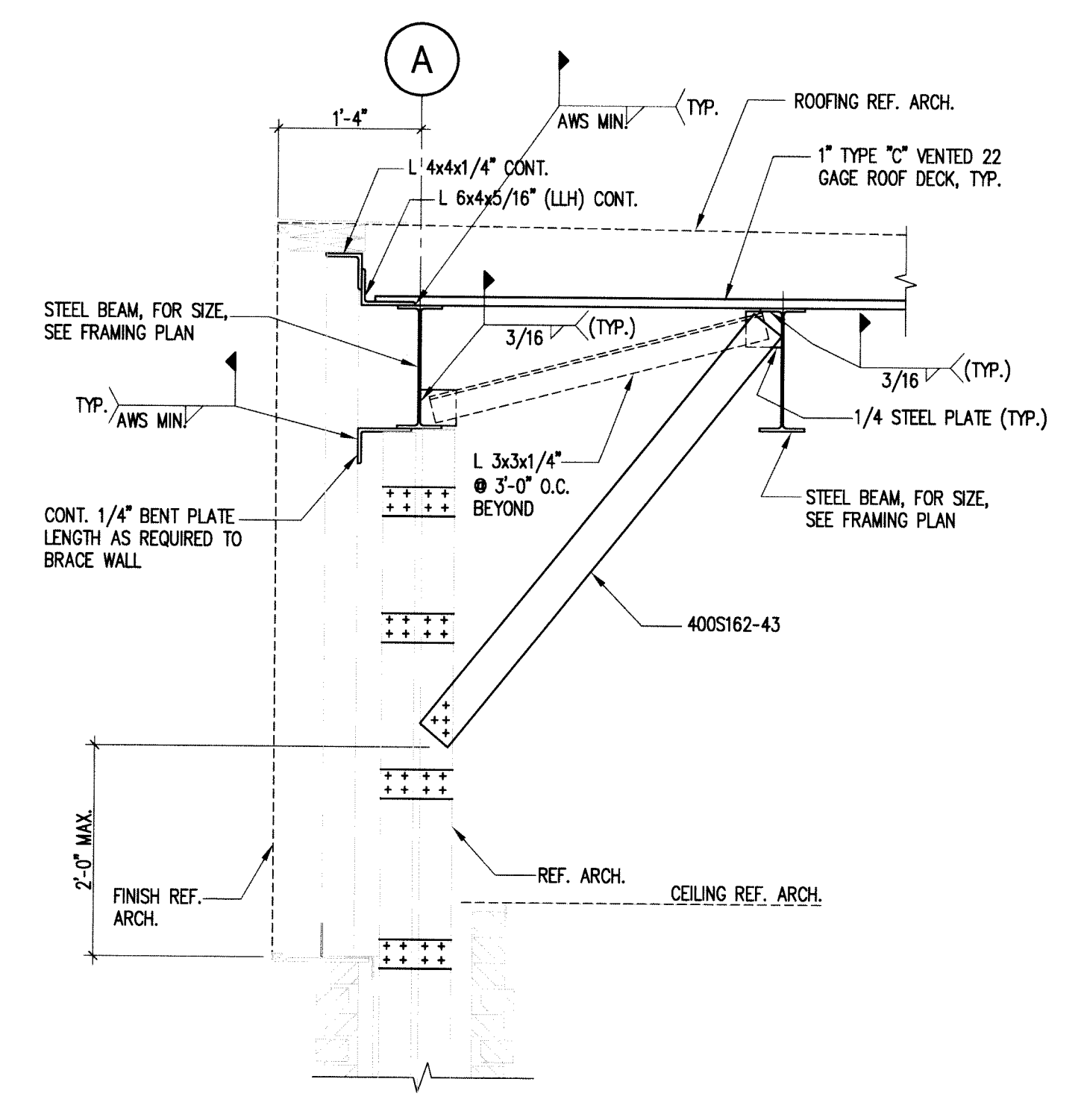
1 DETAIL 3/4"=1'-0"



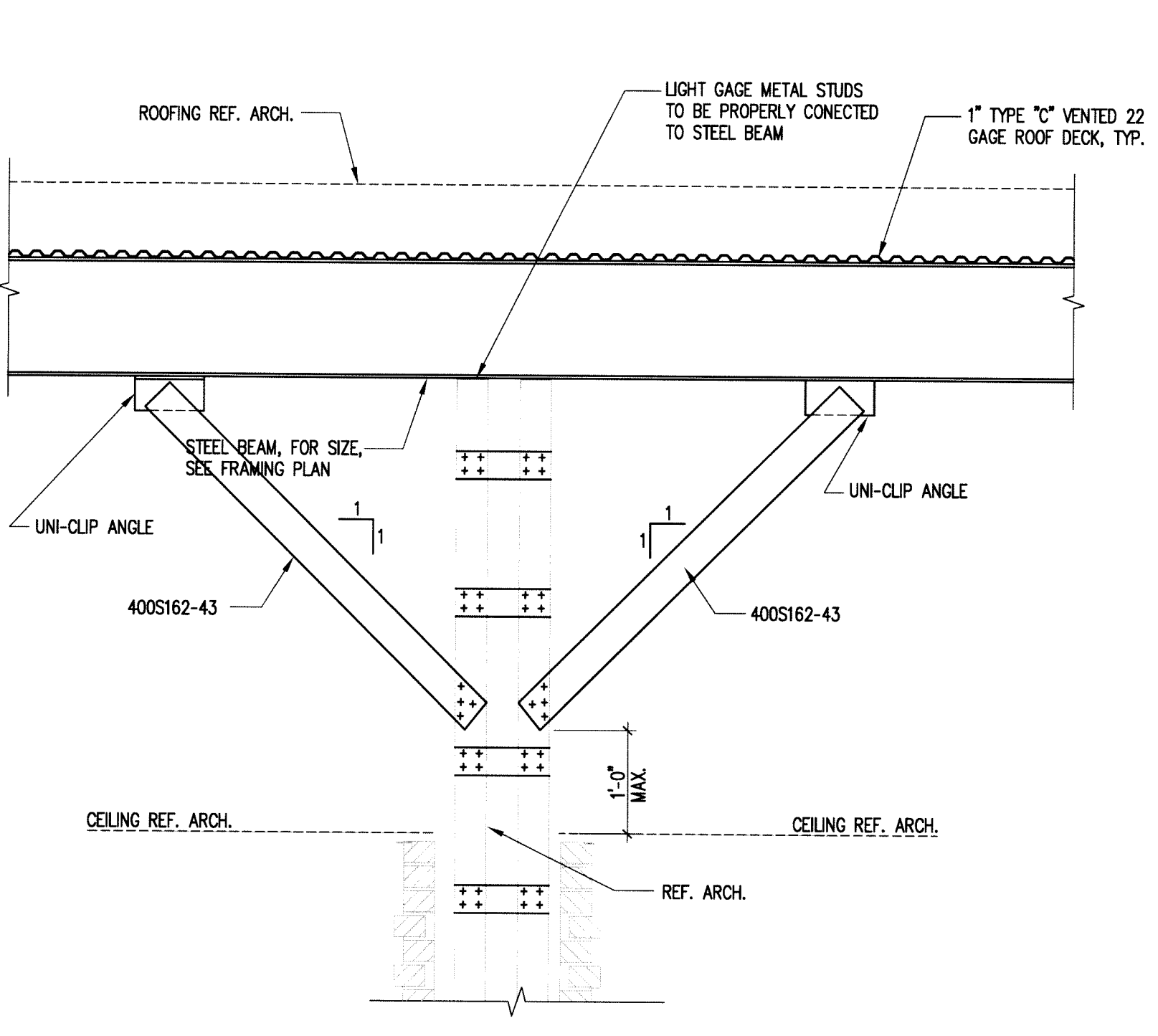
2 DETAIL 3/4"=1'-0"



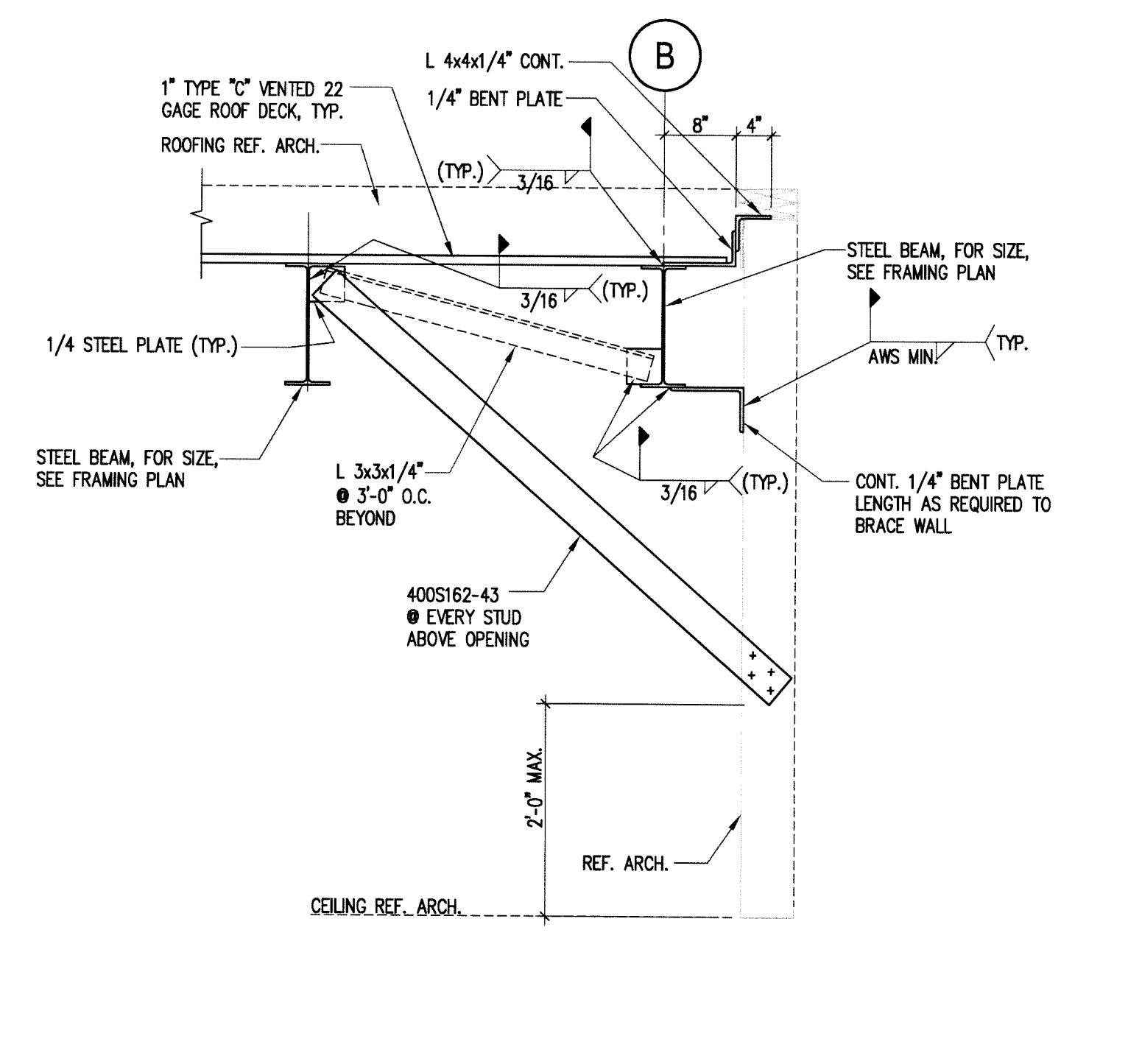
3 DETAIL 3/4"=1'-0"



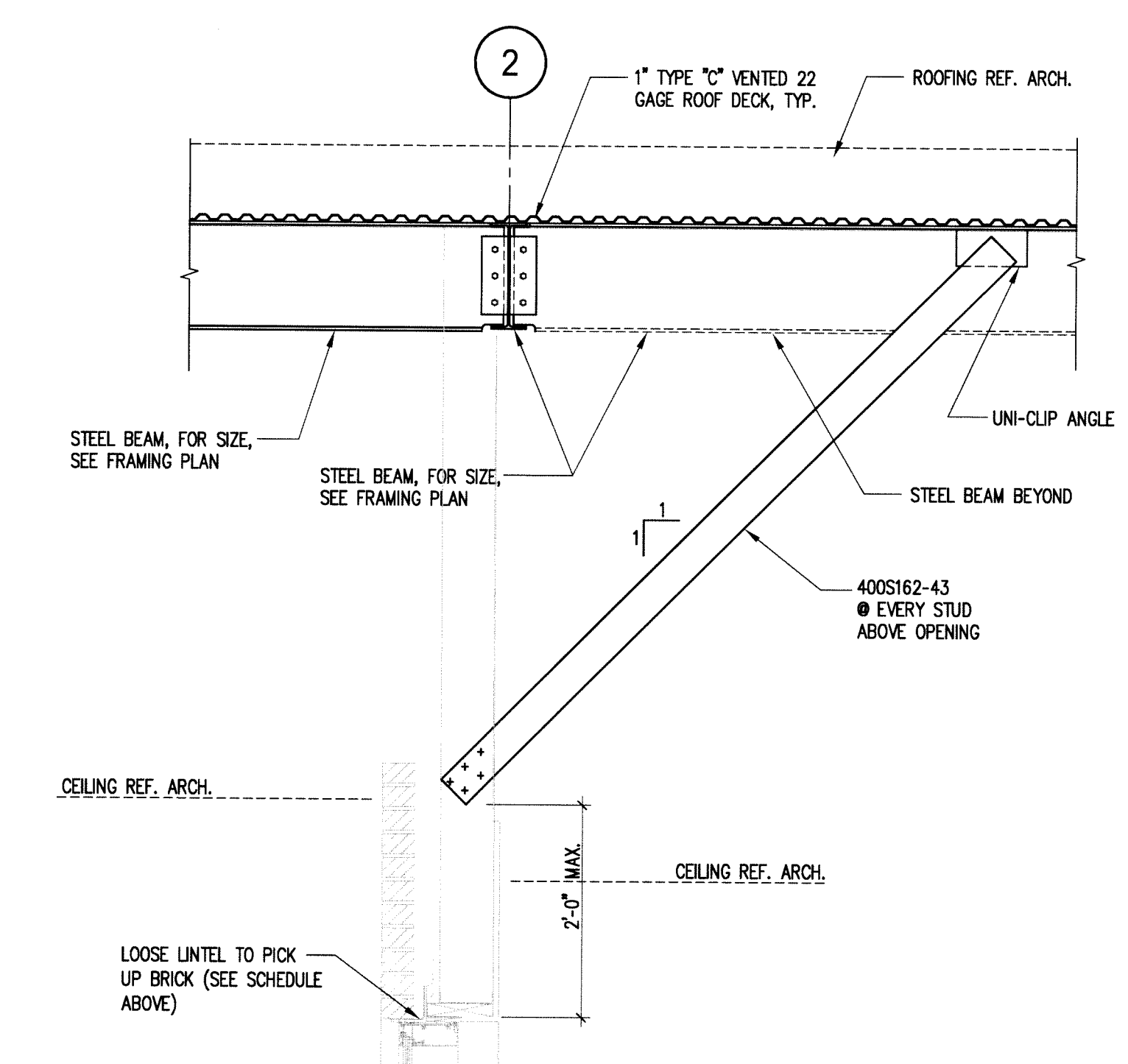
4 DETAIL 3/4"=1'-0"



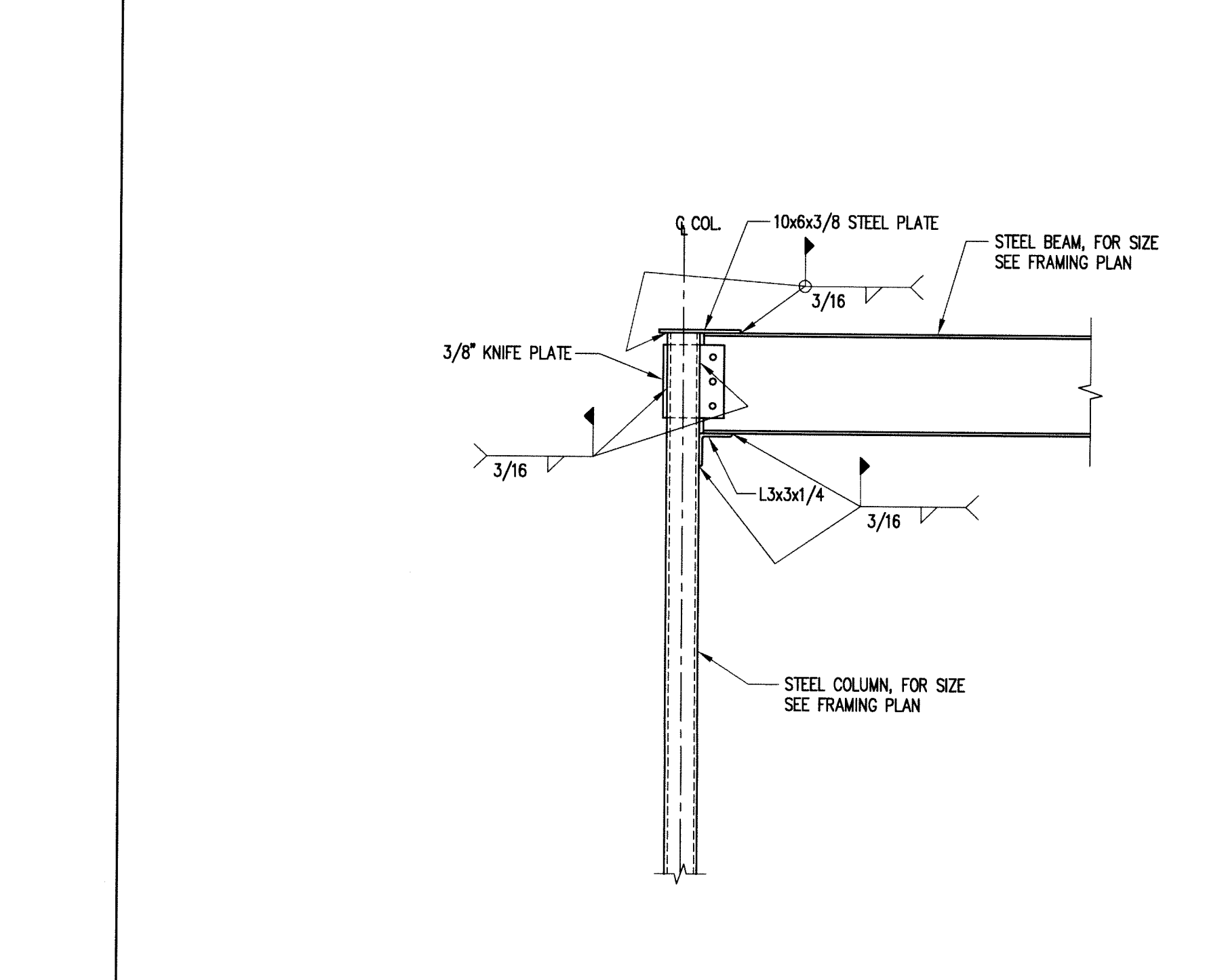
5 DETAIL 3/4"=1'-0"



6 DETAIL 3/4"=1'-0"



7 DETAIL 3/4"=1'-0"



8 DETAIL 3/4"=1'-0"