



Bay Architects

18201 Gulf Freeway
Webster, Texas 77598
Tel 281.286.6605
Fax 281.286.9606

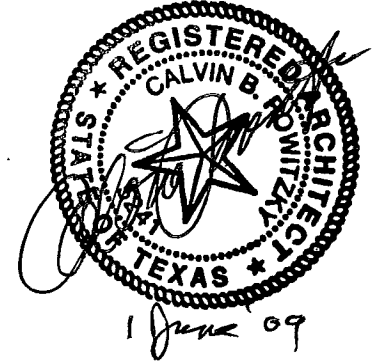
ADDENDUM NO. 01
1 June 2009

Project: **THE NEW TEXAS CITY HIGH SCHOOL**
Texas City Independent School District

Issued by: **Bay Architects, Inc.**
18201 Gulf Freeway
Webster, TX 77598
281-286-6605

Bay Project No.: **0748**

Prepared for: **Prospective Proposers**



PART A: NOTICE TO PROPOSERS:

1. Receipt of this Addendum shall be acknowledged on the Proposal Form. Failure to do so may subject Proposers to disqualification. Each proposer shall make necessary adjustments and submit his proposal with full knowledge of all modifications, clarification, and supplemental data included therein.
2. This Addendum forms part of the Contract Documents and shall be incorporated integrally therewith. Where provisions of the following supplemental data differ from those of previously issued documents, this Addendum shall govern.
3. The following Contract Documents have been issued to date delineating the Work (Project).

Contract Documents	18 May 2009
--------------------	-------------
4. This Addendum consists of: four (4) 8-1/2x11 pages; twenty-six (26) 8-1/2x11 pages of Section 08710 (pgs 8-33); attached sketches, ADD-01-01 through ADD-01-05 (5 pages); as prepared by Bay Architects. Total pages included in this Addendum: thirty-five (35) pages.

PART B: CHANGES TO PRIOR ADDENDUM

"Any changes to prior issued addendum materials are listed here."

5. None

PART C: CHANGES TO THE PROJECT MANUAL

6. Section 01018 Owner Provided Documents: Page 1, change line 26 to read: "Dated: April 7, 2009".
7. Section 08387 Sound Retardant Steel Doors: Page 1- Section header: change to "08387".
8. Section 08387 Sound Retardant Steel Doors: Pages 2 thru 6 footer: change to "08387".

9. Section 08387 Sound Retardant Steel Doors: Page 2, 2.1.A.: Acceptable Manufacturers, Add the following:
07 Overly
10. Section 08710 Door Hardware: Delete pages 8-30 (Hardware Schedule) and replace with the attached Hardware Schedule pages 8-33 (26 pages).
11. Section 11060 Stage Equipment: Pages 14 and 15, Item 2.6 Stage Curtain Schedule: Delete Item 2.6 in its entirety and replace with the following:

2.6 STAGE CURTAIN SCHEDULE:

Curtain	Fabric Size	Fullness		Installation
Valance	25 oz IFR Velour	1 panels 66'0" w x 8'0" h	50% added	On Pipe Batten
Front Curtain	25 oz IFR Velour	2 panels 35'0" w x 18'0" h	50% added	On specified track
Legs	25 oz IFR Velour	4 panels 16'0" w x 18'0" h	50% added	On specified track
Borders	25 oz IFR Velour	4 panels 66'0" w x 8'0" h	50% added	On Pipe Batten
Mid-Stage Traveler	25 oz IFR Velour	2 panels 35'0" w x 18'0" h	50% added	On specified track
Rear Traveler	25 oz IFR Velour	2 panels 35'0" w x 18'0" h	50% added	On specified track
Masking Legs	25 oz IFR Velour	6 panels 12'0" w x 22'0" h	50% added	On specified track
Scrim, Black	Sharks Tooth Scrim – IFR	66'0" w x 19'0" h	0% added	On Utility Batten Provide Hamper
Sky Cyclorama	Seamless Wht Muslin (FR)	66'0" w x 19'0" h	0% added	On Pipe Batten Provide Hamper
Black Box Curtains	25 oz IFR Velour	14 panels 12'0" w x 19'0" h	50% added	On specified track
Vestibule Curtains	13 oz IFR Velour Double sided	2 panels 7'0" w x 8'0" h	50% added	On specified track
Vestibule Curtains	13 oz IFR Velour Double sided	2 panels 9'0" w x 8'0" h	50% added	On specified track

12. Section 11061 Stage Equipment: Delete this section in its entirety.
13. Section 11110- Laundry Equipment: Page 2, change line 42 to read: "...model DE-50 - Gas".
14. Section 11110- Laundry Equipment: Page 3, 2.2 MANUFACTURERS: A. Washers and Dryers: Add the following:
05 Speed Queen
a. Washer: SCN40KNV
b. Dryer: ST055NQT
15. Section 11480- Backstops, Batting Cages and Equipment: Pages 1 and 2, Delete item 2.1 Batting Cages in its entirety.

PART D: CHANGES TO THE DRAWINGS

16. Cover Sheet: **Change** Cover sheet un-shaded for Volume one from: “Index of Drawings Volume Two” **to read:** “Index of drawings Volume One” Change along Tile Block edge from: “0748-Texas City ISD-Volume One” **to read:** “0748-Texas City ISD-Volume Two”.
17. Sheet C1.09 Finish Schedule: **Add** to Schedule under “Flooring”, Seamless Flooring. **Change** Room N200 Platform floor form sealed concrete **to** Seamless flooring.
18. Sheet C1.09 Finish Schedule: Change 14/C1.09 per attachment **ADD-01-01**.
19. Sheet C1.10: **Change** 1/C1.10 per attachment **ADD-01-02**.
20. Sheet A2.01 Door Schedule: **Change** Door A101-1 and A101-2 door material from: “SCPL” **to read:** “Alum”.
21. Sheet A2.13 Door Schedule: **Change** Door G104-1 as follows: Door size: 16’-0” x 10’-0” Elev: F; DRMAT :-; Framesz:- ;FrameELEV:-;FRMAT:-; Sill:6/A9.0.4; Jamb: 12/A9.04; Head: 22/A9.04.
22. Sheet A2.13 Door Schedule: **Change** Door G107-2 door size **to read** 10’-0”x10’-0”.
23. Sheet A2.13 Door Schedule: **Change** Door G119-2 door size **to read** 10’-0”x10’-0”.
24. Sheet A2.14: **Change** dimension at door G107-2 to read 10’-0” and **change** dimension to the right of door G107-2 from 3’-10” **to read:** 4’-2”.
25. Sheet A2.14: **Change** door G103-2to swing out of Room G127 into Room G103.
26. Sheet A2.14: **Change** Wall Section Tag on Pump house West wall from: 0A.600 **to Read:** 3/A6.16.
27. Sheet A2.14: **Delete** wall section reference on Pump house south wall that reads: 24/A6.03.
28. Sheet A2.29 Door Schedule: **Change** door L119-2 Door Size from: 7’-0”x9’-4” to: 8’-0”x8’-0” .
29. Sheet A2.29 Door Schedule: **Change** Door L121-3 Door Size from: 7’-0”x9’-4” to: 8’-0”x8’-0”.
30. Sheet A2.30: **Change** dimension string running North along the East exterior wall of the Field House beginning between door L121-2 to door L121-3 from 16’-2” **to read:** 15’10”, then continuing North door width dimension at door L121-3 from 7’-0” **to read:** 8’-0”, then continuing North between door L121-3 to door L119-2 form 7’-8” **to read:** 6’-10”, then at door width dimension at L119-2 from 7’-0” to read 8’-0”, then continuing north dimension between door L119-2 and window L113-B from 39’-6” to read: 38’-8”.
31. Sheet A2.31: **Change** door location and **Add** chase walls (type D31) for chiller lines. Coordinate with MEP, per attachment **ADD-01-03**
32. Sheet A2.31: **Change** ramp configuration per attachment **ADD-01-04**.
33. Sheet A2.33: **Add** note to ELEVATION 10/A2.33 ADA ramp and handrail shown dashed **to read:** “RAMP AND RAILING PART OF DEMOLITIONSCOPE”.

34. Sheet A6.06: **Add** to 6/A6.06 Drawing tile to read: “Wall section” Add note to top of column at Column grid A to read: “PROVIDE ALUMINUM CAP BY CANOPY MANUFACTURER”.
35. Sheet A6.16: **Add** Wall Section per attachment **ADD-01-05**.
36. Sheet A7.02: **Change** vertical dimension on elevation 10/A7.02 from 11'-11 7/8" to read: 11'-8 3/8".
37. Sheet A7.05: **Change** note on detail 11/A7.05 from: “3/4” GYPSUM PLASTER ON MTL LATH AND [‘s” **to read:** “PAINTED GYPSUM BOARD ON MTL LATH AND [‘s”.

PART E: RE-ISSUED SHEETS

38. None

END OF ADDENDUM

3.4 HARDWARE SCHEDULE:
I-R SPECWORKS #88692-07- 878031

HW SET: 01

DOOR NUMBER:

A100-1 A100-2 H163-2 H163-3 K100-1 K100-2
K100-3

EACH TO HAVE:

2	EA	CONTINUOUS HINGE	112HD	628	IVE
2	SET	MULLION STABILIZER	154	689	VON
1	EA	MULLION	KR9954	689	VON
1	EA	MULLION STORAGE KIT	MT54	689	VON
2	EA	PANIC HARDWARE	HH-CD98EO	626	VON
2	EA	RIM CYLINDER	C953H	626	FAL
3	EA	MORTISE CYLINDER	C987H X REQ'D CAM/COLLAR	626	FAL
5	EA	COMBINATED CORE	CB806	626	FAL
1	EA	DOOR PULL	VR910DT	630	IVE
1	EA	DOOR PULL	VR910NL	630	IVE
1	EA	MULLION SEAL	5100	BLK	NGP
2	EA	SURFACE CLOSER	4041 SCUSH	689	LCN
2	EA	MOUNTING PLATE	4040-18PA X AS REQ'D	689	LCN
2	EA	CUSH SHOE SUPPORT	4140-30 X AS REQ'D	689	LCN
2	EA	BLADE STOP SPACER	4140-61 X AS REQ'D	689	LCN
1	SET	SEALS	BY DOOR MANUFACTURER		B/O
2		DOOR BOTTOM	BY DOOR MANUFACTURER		B/O
1	EA	THRESHOLD	950V	AL	NGP

NOTE: COORDINATE WITH DOOR MANUFACTURER TO INSURE HURRICANE CODE REQUIREMENTS ARE MET.

HW SET: 02

DOOR NUMBER:

A151-1 K105-1

EACH TO HAVE:

2	EA	CONTINUOUS HINGE	112HD	628	IVE
2	SET	MULLION STABILIZER	154	689	VON
1	EA	MULLION	KR9954	689	VON
1	EA	MULLION STORAGE KIT	MT54	689	VON
2	EA	PANIC HARDWARE	HH-CD98EO	626	VON
2	EA	ALARM KIT	98-ALK	628	VON
2	EA	RIM CYLINDER	C953H	626	FAL
5	EA	MORTISE CYLINDER	C987H X REQ'D CAM/COLLAR	626	FAL
7	EA	COMBINATED CORE	CB806	626	FAL
1	EA	DOOR PULL	VR910DT	630	IVE
1	EA	DOOR PULL	VR910NL	630	IVE
1	EA	MULLION SEAL	5100	BLK	NGP
2	EA	SURFACE CLOSER	4041 EDA	689	LCN
2	EA	MOUNTING PLATE	4040-18PA X AS REQ'D	689	LCN
2	EA	CUSH SHOE SUPPORT	4140-30 X AS REQ'D	689	LCN
2	EA	BLADE STOP SPACER	4140-61 X AS REQ'D	689	LCN

2	EA	SECURITY FLOOR STOP	FS18S		BLK	IVE
1	SET	SEALS	BY DOOR MANUFACTURER			B/O
2		DOOR BOTTOM	BY DOOR MANUFACTURER			B/O
1	EA	THRESHOLD	950V		AL	NGP

NOTE: COORDINATE WITH DOOR MANUFACTURER TO INSURE HURRICANE CODE REQUIREMENTS ARE MET.

HW SET: 03

DOOR NUMBER:

C108-1	C124-2	E119-1	E130-2	G100-1	G105-1
L100-1	L100-2	M100-1			

EACH TO HAVE:

2	EA	CONTINUOUS HINGE	112HD		628	IVE
2	SET	MULLION STABILIZER	154		689	VON
1	EA	MULLION	KR9954		689	VON
1	EA	MULLION STORAGE KIT	MT54		689	VON
2	EA	PANIC HARDWARE	HH-CD98EO		626	VON
2	EA	RIM CYLINDER	C953H		626	FAL
3	EA	MORTISE CYLINDER	C987H X REQ'D CAM/COLLAR		626	FAL
5	EA	COMBINATED CORE	CB806		626	FAL
1	EA	DOOR PULL	VR910DT		630	IVE
1	EA	DOOR PULL	VR910NL		630	IVE
1	EA	MULLION SEAL	5100		BLK	NGP
2	EA	SURFACE CLOSER	4041 EDA		689	LCN
2	EA	MOUNTING PLATE	4040-18PA X AS REQ'D		689	LCN
2	EA	CUSH SHOE SUPPORT	4140-30 X AS REQ'D		689	LCN
2	EA	BLADE STOP SPACER	4140-61 X AS REQ'D		689	LCN
2	EA	SECURITY FLOOR STOP	FS18S		BLK	IVE
1	SET	SEALS	BY DOOR MANUFACTURER			B/O
2		DOOR BOTTOM	BY DOOR MANUFACTURER			B/O
1	EA	THRESHOLD	950V		AL	NGP

NOTE: COORDINATE WITH DOOR MANUFACTURER TO INSURE HURRICANE CODE REQUIREMENTS ARE MET.

HW SET: 04

DOOR NUMBER:

H101-1

EACH TO HAVE:

2	EA	CONTINUOUS HINGE	112HD		628	IVE
2	SET	MULLION STABILIZER	154		689	VON
1	EA	MULLION	KR9954		689	VON
1	EA	MULLION STORAGE KIT	MT54		689	VON
2	EA	FIRE EXIT HARDWARE	HH-98EO-F		626	VON
2	EA	RIM CYLINDER	C953H		626	FAL
3	EA	MORTISE CYLINDER	C987H X REQ'D CAM/COLLAR		626	FAL
5	EA	COMBINATED CORE	CB806		626	FAL
1	EA	DOOR PULL	VR910DT		630	IVE
1	EA	DOOR PULL	VR910NL		630	IVE

1	EA	MULLION SEAL	5100	BLK	NGP
2	EA	SURFACE CLOSER	4041 EDA	689	LCN
2	EA	MOUNTING PLATE	4040-18PA X AS REQ'D	689	LCN
2	EA	CUSH SHOE SUPPORT	4140-30 X AS REQ'D	689	LCN
2	EA	BLADE STOP SPACER	4140-61 X AS REQ'D	689	LCN
2	EA	SECURITY FLOOR STOP	FS18S	BLK	IVE
1	SET	SEALS	BY DOOR MANUFACTURER		B/O
2		DOOR BOTTOM	BY DOOR MANUFACTURER		B/O
1	EA	THRESHOLD	950V	AL	NGP

NOTE: COORDINATE WITH DOOR MANUFACTURER TO INSURE HURRICANE CODE REQUIREMENTS ARE MET.

HW SET: 05
DOOR NUMBER:
F103-1

EACH TO HAVE:

1	EA	CONTINUOUS HINGE	224HD	628	IVE
1	EA	PANIC HARDWARE	HH-CD98EO	626	VON
1	EA	RIM CYLINDER	C953H	626	FAL
1	EA	MORTISE CYLINDER	C987H X REQ'D CAM/COLLAR	626	FAL
2	EA	COMBINATED CORE	CB806	626	FAL
1	EA	SURFACE CLOSER	4041 HEDA	689	LCN
1	EA	ARMOR PLATE	8400 36" X 2" LDW	630	IVE
1	EA	SECURITY FLOOR STOP	FS18S	BLK	IVE
1	EA	DRIP CAP	16A	AL	NGP
1	SET	FAS-SEAL DR BOTTOM	8424	GRY	STE
1	EA	DOOR SWEEP	FAS-SEAL BY DOOR MANUFACTURER		STE
1	EA	THRESHOLD	950V	AL	NGP
1	EA	VIEWER	698	626	IVE

NOTE: COORDINATE WITH DOOR MANUFACTURER TO INSURE HURRICANE CODE REQUIREMENTS ARE MET.

HW SET: 06
DOOR NUMBER:
C112-2 G103-1 J123-1

EACH TO HAVE:

2	EA	CONTINUOUS HINGE	224HD	628	IVE
2	SET	MULLION STABILIZER	154	689	VON
1	EA	MULLION	KR9954	689	VON
1	EA	MULLION STORAGE KIT	MT54	689	VON
2	EA	PANIC HARDWARE	HH-CD98EO	626	VON
1	EA	RIM CYLINDER	C953H	626	FAL
3	EA	MORTISE CYLINDER	C987H X REQ'D CAM/COLLAR	626	FAL
4	EA	COMBINATED CORE	CB806	626	FAL
1	EA	DOOR PULL	VR910DT	630	IVE
1	EA	DOOR PULL	VR910NL	630	IVE
1	EA	MULLION SEAL	5100	BLK	NGP
2	EA	SURFACE CLOSER	4041 EDA	689	LCN
2	EA	SECURITY FLOOR STOP	FS18S	BLK	IVE

1	SET	SEALS	PS074 - BY DOOR MANUFACTURER	AL	STE
1	EA	DRIP CAP	16A	AL	NGP
2	EA	DOOR SWEEP	FAS-SEAL BY DOOR MANUFACTURER		STE
1	EA	THRESHOLD	950V	AL	NGP

NOTE: COORDINATE WITH DOOR MANUFACTURER TO INSURE HURRICANE CODE REQUIREMENTS ARE MET.

HW SET: 07

DOOR NUMBER:

G104-2	G107-3	G119-3	H122-2	H134-2	H137-2
J107-2	K106-2	L128-2	M106-1		

EACH TO HAVE:

1	EA	CONTINUOUS HINGE	224HD	628	IVE
1	EA	PANIC HARDWARE	HH-CD98EO	626	VON
1	EA	RIM CYLINDER	C953H	626	FAL
1	EA	MORTISE CYLINDER	C987H X REQ'D CAM/COLLAR	626	FAL
2	EA	COMBINATED CORE	CB806	626	FAL
1	EA	DOOR PULL	VR910NL	630	IVE
1	EA	SURFACE CLOSER	4041 EDA	689	LCN
1	EA	SECURITY FLOOR STOP	FS18S	BLK	IVE
1	EA	DRIP CAP	16A	AL	NGP
1	SET	FAS-SEAL DR BOTTOM	8424	GRY	STE
1	EA	DOOR SWEEP	FAS-SEAL BY DOOR MANUFACTURER		STE
1	EA	THRESHOLD	950V	AL	NGP

NOTE: COORDINATE WITH DOOR MANUFACTURER TO INSURE HURRICANE CODE REQUIREMENTS ARE MET.

HW SET: 08

DOOR NUMBER:

G128-1	M113-1	M114-1	<u>P105-1</u>	<u>P107-1</u>
--------	--------	--------	---------------	---------------

EACH TO HAVE:

1	EA	CONTINUOUS HINGE	224HD	628	IVE
1	EA	STOREROOM LOCK	T581H7D Q X 98835S	626	FAL
1	EA	COMBINATED CORE	CB806	626	FAL
1	EA	SURFACE CLOSER	4041 RW/PA	689	LCN
1	EA	DOOR STOP	WS402CCV/FS436 AS REQ'D	626	IVE
1	SET	SEALS	PS074 - BY DOOR MANUFACTURER	AL	STE
1	EA	DOOR SWEEP	FAS-SEAL BY DOOR MANUFACTURER		STE
1	EA	THRESHOLD	950V	AL	NGP

NOTE: COORDINATE WITH DOOR MANUFACTURER TO INSURE HURRICANE CODE REQUIREMENTS ARE MET.

HW SET: 09

DOOR NUMBER:

M111-1	M112-1	M115-1	M116-1	M119-1
--------	--------	--------	--------	--------

EACH TO HAVE:

1	EA	CONTINUOUS HINGE	224HD	628	IVE
1	EA	CLASSROOM LOCK	T561H6D Q X 98835S	626	FAL
1	EA	COMBINATED CORE	CB806	626	FAL
1	EA	SURFACE CLOSER	4041 RW/PA	689	LCN
1	EA	DOOR STOP	WS402CCV/FS436 AS REQ'D	626	IVE
1	SET	SEALS	PS074 - BY DOOR MANUFACTURER	AL	STE
1	EA	DOOR SWEEP	FAS-SEAL BY DOOR MANUFACTURER		STE
1	EA	THRESHOLD	950V	AL	NGP

NOTE: COORDINATE WITH DOOR MANUFACTURER TO INSURE HURRICANE CODE REQUIREMENTS ARE MET.

HW SET: 10

DOOR NUMBER:

L143-1

EACH TO HAVE:

2	EA	CONTINUOUS HINGE	224HD	628	IVE
2	EA	SURFACE BOLT	SB360T-12	603	IVE
1	EA	STOREROOM LOCK	T581H7D Q X 98835S	626	FAL
1	EA	COMBINATED CORE	CB806	626	FAL
1	EA	ASTRAGAL	BY DOOR MANUFACTURER		B/O
2	EA	SURFACE CLOSER	4041 EDA	689	LCN
2	EA	SECURITY FLOOR STOP	FS18S	BLK	IVE
1	SET	SEALS	PS074 - BY DOOR MANUFACTURER	AL	STE
1	EA	DRIP CAP	16A	AL	NGP
2	EA	DOOR SWEEP	FAS-SEAL BY DOOR MANUFACTURER		STE
1	EA	THRESHOLD	950V	AL	NGP

NOTE: COORDINATE WITH DOOR MANUFACTURER TO INSURE HURRICANE CODE REQUIREMENTS ARE MET.

HW SET: 11

DOOR NUMBER:

L121-2 L142-1 P101 P102 P105-2 P107-2
P112-1 P112-5

EACH TO HAVE:

1	EA	CONTINUOUS HINGE	224HD	628	IVE
1	EA	STOREROOM LOCK	T581H7D Q X 98835S	626	FAL
1	EA	COMBINATED CORE	CB806	626	FAL
1	EA	SURFACE CLOSER	4041 EDA	689	LCN
1	EA	SECURITY FLOOR STOP	FS18S	BLK	IVE
1	SET	SEALS	PS074 - BY DOOR MANUFACTURER	AL	STE
1	EA	DRIP CAP	16A	AL	NGP
1	EA	DOOR SWEEP	FAS-SEAL BY DOOR MANUFACTURER		STE
1	EA	THRESHOLD	950V	AL	NGP

NOTE: COORDINATE WITH DOOR MANUFACTURER TO INSURE HURRICANE CODE REQUIREMENTS ARE MET.

HW SET: 11A
DOOR NUMBER:

<u>P103</u>	<u>P104</u>	<u>P108</u>	<u>P109</u>	<u>P110</u>	<u>P111</u>
<u>P114</u>	<u>P115</u>				

EACH TO HAVE:

1	EA	CONTINUOUS HINGE	224HD	628	IVE
1	EA	CLASSROOM LOCK	T561H6D Q X 98835S	626	FAL
1	EA	COMBINATED CORE	CB806	626	FAL
1	EA	SURFACE CLOSER	4041 RW/PA	689	LCN
1	EA	SECURITY FLOOR STOP	FS18S	BLK	IVE
1	SET	SEALS	PS074 - BY DOOR MANUFACTURER	AL	STE
1	EA	DOOR SWEEP	FAS-SEAL BY DOOR MANUFACTURER		STE
1	EA	THRESHOLD	950V	AL	NGP

NOTE: COORDINATE WITH DOOR MANUFACTURER TO INSURE HURRICANE CODE REQUIREMENTS ARE MET.

HW SET: 12

DOOR NUMBER:

A146-1	A146-2	B106-1	B107-1	B113-1	B114-1
B118-1	B120-1	B121-1	B122-1	B126-1	B128-1
B129-1	B202-1	B206-1	B211-1	C113-1	C114-1
C115-1	C116-1	C117-1	C118-1	C119-1	C120-1
C125-1	C125-2	C126-1	C126-2	C128-1	C129-1
C130-1	C131-1	C132-1	C220-1	C221-1	D111-1
D112-1	D113-1	D114-1	D115-1	D121-1	D123-1
D124-1	D125-1	D126-1	D127-1	D128-1	D129-1
D130-1	D203-1	D204-1	D205-1	D206-1	D219-1
D220-1	D221-1	D222-1	D223-1	D224-1	D225-1
D226-1	E109-1	E112-1	E113-1	E114-1	E116-1
E117-1	E118-1	E121-1	E122-1	E123-1	E124-1
E125-1	E126-1	E127-1	E128-1	E129-1	E208-1
E209-1	E210-1	E213-1	E214-1	E216-1	E217-1
E218-1	E220-1	G126-1	J124-1	J125-1	

EACH TO HAVE:

3	EA	HINGE	5BB1 4.5 X 4.5	652	IVE
1	EA	CLASSROOM LOCK	T381H6D Q	626	FAL
2	EA	COMBINATED CORE	CB806	626	FAL
1	EA	DOOR STOP	WS402CCV/FS436 AS REQ'D	626	IVE
3	EA	SILENCER	SR64	GRY	IVE

HW SET: 13

DOOR NUMBER:

B102-1	H123-1	H145-1
--------	--------	--------

EACH TO HAVE:

3	EA	HINGE	5BB1 4.5 X 4.5	652	IVE
1	EA	CLASSROOM LOCK	T381H6D Q	626	FAL
2	EA	COMBINATED CORE	CB806	626	FAL
1	EA	DOOR STOP	WS402CCV/FS436 AS REQ'D	626	IVE

1	SET SEALS	107NA	AL	NGP
1	EA DOOR BOTTOM	220NA	AL	NGP
1	EA THRESHOLD	613	AL	NGP

HW SET: 14 SAD - STEEL ACOUSTICAL DOOR

DOOR NUMBER:

H134-1 H135-1

EACH TO HAVE:

1	EA CLASSROOM LOCK	T381H6D Q X 5" BS	626	FAL
2	EA COMBINATED CORE	CB806	626	FAL
1	EA DOOR STOP	WS402CCV/FS436 AS REQ'D	626	IVE

NOTE: BALANCE OF HARDWARE BY ACOUSTICAL DOOR MFG.

HW SET: 15 - NOT USED

HW SET: 16

DOOR NUMBER:

A104-1 A117-1 A148-1 *CI33-1* D103-1 D208-1
 F110-1 L104-1 L125-1

EACH TO HAVE:

3	EA HINGE	5BB1 4.5 X 4.5	652	IVE
1	EA CLASSROOM LOCK	T561H6D Q	626	FAL
1	EA COMBINATED CORE	CB806	626	FAL
1	EA SURFACE CLOSER	4041 RW/PA	689	LCN
1	EA DOOR STOP	WS402CCV/FS436 AS REQ'D	626	IVE
3	EA SILENCER	SR64	GRY	IVE

HW SET: 17

DOOR NUMBER:

A104-2 A116-1 A116-2 A117-2 A130-1 A131-1
 A131-2 A140-1 A156-1 A157-1 B103-1 B116-1
 B130-1 B130-2 B208-1 B221-1 C101-1 C121-1
 C121-2 C208-1 D102-1 D102-2 D105-1 D107-1
 D122-1 D130-2 D131-1 D212-1 D214-1 E110-1
 E110-2 G113-1 H104-1 H120-1 H154-1 L112-1
 L119-1 L129-1 L134-1 L139-1 L141-2 M101-1
 M117-1 M118-1

EACH TO HAVE:

3	EA HINGE	5BB1 4.5 X 4.5	652	IVE
1	EA CLASSROOM LOCK	T561H6D Q	626	FAL
1	EA COMBINATED CORE	CB806	626	FAL
1	EA DOOR STOP	WS402CCV/FS436 AS REQ'D	626	IVE
3	EA SILENCER	SR64	GRY	IVE

HW SET: 18

DOOR NUMBER:

<u>B101A</u>	<u>B101B</u>	B105-1	B115-1	B119-1	B131-1
B203-1	B207-1	B210-1	B210-2	B210-3	B210-4
C122-1	C211-1	C211-2	C213-1	C213-2	C213-3
C213-4	D132-1	E204-1	E204-2	E204-3	E204-4
F109-1	G115-1	G120-1	G125-1	H103-1	H105-1
H107-1	H111-1	H117-1	K109-1	K119-1	K119-2
K125-1	K126-1	L105-1	L110-1	L116-1	L130-1
M120-1					

EACH TO HAVE:

3	EA	HINGE	5BB1 4.5 X 4.5	652	IVE
1	EA	CLASSROOM LOCK	T561H6D Q	626	FAL
1	EA	COMBINATED CORE	CB806	626	FAL
1	EA	SURFACE CLOSER	4041 RW/PA	689	LCN
1	EA	DOOR STOP	WS402CCV/FS436 AS REQ'D	626	IVE
1	SET	SEALS	5020B	BRN	NGP
<u>1</u>	<u>EA</u>	<u>DOOR SWEEP</u>	<u>200NA</u>	<u>AL</u>	<u>NGP</u>
<u>1</u>	<u>EA</u>	<u>THRESHOLD</u>	<u>613</u>	<u>AL</u>	<u>NGP</u>

HW SET: 19

DOOR NUMBER:

H143-1	H146-1	H146-2
--------	--------	--------

EACH TO HAVE:

3	EA	HINGE	5BB1HW 5 X 4.5	652	IVE
1	EA	CLASSROOM LOCK	T561H6D Q	626	FAL
1	EA	COMBINATED CORE	CB806	626	FAL
1	EA	SURFACE CLOSER	4041 RW/PA	689	LCN
1	EA	DOOR STOP	WS402CCV/FS436 AS REQ'D	626	IVE
1	SET	SEALS	5020B	BRN	NGP
<u>1</u>	<u>EA</u>	<u>DOOR SWEEP</u>	<u>200NA</u>	<u>AL</u>	<u>NGP</u>
<u>1</u>	<u>EA</u>	<u>THRESHOLD</u>	<u>613</u>	<u>AL</u>	<u>NGP</u>

HW SET: 19A SAD - STEEL ACOUSTICAL DOOR

DOOR NUMBER:

H147-1

EACH TO HAVE:

<u>1</u>	<u>EA</u>	<u>CLASSROOM LOCK</u>	<u>T561H6D O X 3-3/4" BS</u>	<u>626</u>	<u>FAL</u>
<u>1</u>	<u>EA</u>	<u>COMBINATED CORE</u>	<u>CB806</u>	<u>626</u>	<u>FAL</u>
<u>1</u>	<u>EA</u>	<u>SURFACE CLOSER</u>	<u>4041 RW/PA</u>	<u>689</u>	<u>LCN</u>
<u>1</u>	<u>EA</u>	<u>DOOR STOP</u>	<u>WS402CCV/FS436 AS REQ'D</u>	<u>626</u>	<u>IVE</u>

NOTE: BALANCE OF HARDWARE BY ACOUSTICAL DOOR MFG.

HW SET: 20 - NOT USED

HW SET: 21

DOOR NUMBER:

E132-1 E133-1 H108-1 H109-1

EACH TO HAVE:

3	EA	HINGE	5BB1HW 4.5 X 4.5	652	IVE
1	EA	CLASSROOM LOCK	T561H6D Q	626	FAL
1	EA	COMBINATED CORE	CB806	626	FAL
1	EA	SURFACE CLOSER	4041 RW/PA	689	LCN
1	EA	KICK PLATE	8400 10" X 2" LDW	630	IVE
1	EA	DOOR STOP	WS402CCV/FS436 AS REQ'D	626	IVE
3	EA	SILENCER	SR64	GRY	IVE

HW SET: 21A

DOOR NUMBER:

J120-1

EACH TO HAVE:

<u>3</u>	<u>EA</u>	<u>HINGE</u>	<u>5BB1HW 4.5 X 4.5</u>	<u>652</u>	<u>IVE</u>
<u>1</u>	<u>EA</u>	<u>CLASSROOM LOCK</u>	<u>T561H6D Q</u>	<u>626</u>	<u>FAL</u>
<u>1</u>	<u>EA</u>	<u>COMBINATED CORE</u>	<u>CB806</u>	<u>626</u>	<u>FAL</u>
<u>1</u>	<u>EA</u>	<u>SURFACE CLOSER</u>	<u>4041 RW/PA</u>	<u>689</u>	<u>LCN</u>
<u>1</u>	<u>EA</u>	<u>KICK PLATE</u>	<u>8400 10" X 2" LDW</u>	<u>630</u>	<u>IVE</u>
<u>1</u>	<u>EA</u>	<u>DOOR STOP</u>	<u>WS402CCV/FS436 AS REQ'D</u>	<u>626</u>	<u>IVE</u>
<u>1</u>	<u>SET</u>	<u>SEALS</u>	<u>5020B</u>	<u>BRN</u>	<u>NGP</u>
<u>1</u>	<u>EA</u>	<u>DOOR SWEEP</u>	<u>200NA</u>	<u>AL</u>	<u>NGP</u>
<u>1</u>	<u>EA</u>	<u>THRESHOLD</u>	<u>613</u>	<u>AL</u>	<u>NGP</u>

HW SET: 22

DOOR NUMBER:

F102-3 F102-6

EACH TO HAVE:

4	EA	HINGE	5BB1HW 5 X 4.5	630	IVE
1	EA	CLASSROOM LOCK	T561H6D Q	626	FAL
1	EA	COMBINATED CORE	CB806	626	FAL
1	EA	SURFACE CLOSER	4041 CUSH	689	LCN
3	EA	SILENCER	SR64	GRY	IVE

HW SET: 23

DOOR NUMBER:

B212-1 B212-2 K108-1

EACH TO HAVE:

3	EA	HINGE	5BB1 4.5 X 4.5	652	IVE
1	EA	CLASSROOM LOCK	T561H6D Q	626	FAL
1	EA	COMBINATED CORE	CB806	626	FAL
1	EA	SURFACE CLOSER	4041 CUSH	689	LCN

1	SET	SEALS	5020B	BRN	NGP
<u>1</u>	<u>EA</u>	<u>DOOR SWEEP</u>	<u>200NA</u>	<u>AL</u>	<u>NGP</u>
<u>1</u>	<u>EA</u>	<u>THRESHOLD</u>	<u>613</u>	<u>AL</u>	<u>NGP</u>

HW SET: 24
DOOR NUMBER:
H129-1

EACH TO HAVE:

6	EA	HINGE	5BB1 4.5 X 4.5	652	IVE
2	EA	MANUAL FLUSH BOLT	FB458/FB358 AS REQ'D	626	IVE
1	EA	DUST PROOF STRIKE	DP1/DP2 AS REQ'D	626	IVE
1	EA	CLASSROOM LOCK	T561H6D Q X 98835S	626	FAL
1	EA	COMBINATED CORE	CB806	626	FAL
1	SET	ASTRAGAL	600	AL	NGP
1	EA	SURFACE CLOSER	4041 RW/PA	689	LCN
2	EA	DOOR STOP	WS402CCV/FS436 AS REQ'D	626	IVE
1	SET	SEALS	5020B	BRN	NGP
2	EA	DOOR SWEEP	200NA	AL	NGP
1	EA	THRESHOLD	613	AL	NGP

NOTE: INSTALL CLOSER @ ACTIVE LEAF ONLY.

HW SET: 25
DOOR NUMBER:
F114-1 H137A-1 H158-1

EACH TO HAVE:

6	EA	HINGE	5BB1 4.5 X 4.5	652	IVE
2	EA	MANUAL FLUSH BOLT	FB458/FB358 AS REQ'D	626	IVE
1	EA	DUST PROOF STRIKE	DP1/DP2 AS REQ'D	626	IVE
1	EA	CLASSROOM LOCK	T561H6D Q X 98835S	626	FAL
1	EA	COMBINATED CORE	CB806	626	FAL
1	SET	ASTRAGAL	600	AL	NGP
1	EA	SURFACE CLOSER	4041 RW/PA	689	LCN
2	EA	DOOR STOP	WS402CCV/FS436 AS REQ'D	626	IVE
1	SET	SEALS	5020B	BRN	NGP
<u>2</u>	<u>EA</u>	<u>DOOR SWEEP</u>	<u>200NA</u>	<u>AL</u>	<u>NGP</u>
<u>1</u>	<u>EA</u>	<u>THRESHOLD</u>	<u>613</u>	<u>AL</u>	<u>NGP</u>

NOTE: INSTALL CLOSER @ ACTIVE LEAF ONLY.

HW SET: 26
DOOR NUMBER:
H159-1 H159-9

EACH TO HAVE:

6	EA	HINGE	5BB1 4.5 X 4.5	652	IVE
2	EA	MANUAL FLUSH BOLT	FB458/FB358 AS REQ'D	626	IVE
1	EA	DUST PROOF STRIKE	DP1/DP2 AS REQ'D	626	IVE
1	EA	CLASSROOM LOCK	T561H6D Q X 98835S	626	FAL

1	EA	COMBINATED CORE	CB806	626	FAL
1	SET	ASTRAGAL	600	AL	NGP
1	EA	SURFACE CLOSER	4041 CUSH	689	LCN
1	EA	DOOR STOP	WS402CCV/FS436 AS REQ'D	626	IVE
1	SET	SEALS	5020B	BRN	NGP
<u>2</u>	<u>EA</u>	<u>DOOR SWEEP</u>	<u>200NA</u>	<u>AL</u>	<u>NGP</u>
<u>1</u>	<u>EA</u>	<u>THRESHOLD</u>	<u>613</u>	<u>AL</u>	<u>NGP</u>

NOTE: INSTALL CLOSER @ ACTIVE LEAF ONLY; STOP @ INACTIVE LEAF.

HW SET: 27

DOOR NUMBER:

A103-1	A105-1	A107-1	A107-2	A112-1	A112-2
A118-1	A119-1	A120-1	A121-1	A122-1	<u>A122-2</u>
A123-1	A127-1	A128-1	A129-1	A130-2	A135-1
A136-1	A138-1	A139-1	A141-1	A144-1	A147-1
B104-1	B117-1	B204-1	B204-2	<u>C134-1</u>	<u>C135-1</u>
D104-1	D106-1	D108-1	D209-1	D211-1	D211-2
D213-1	D215-1	F108-1	G106-1	G117-1	G117-2
G117-3	G124-1	G124-2	H117-2	J104-1	K107-1
K114-1	K117-1	K124-1	L113-1	L132-1	L133-1
M103-1					

EACH TO HAVE:

3	EA	HINGE	5BB1 4.5 X 4.5	652	IVE
1	EA	ENTRY LOCK	T501H6D Q	626	FAL
1	EA	COMBINATED CORE	CB806	626	FAL
1	EA	DOOR STOP	WS402CCV/FS436 AS REQ'D	626	IVE
3	EA	SILENCER	SR64	GRY	IVE
1	EA	COAT HOOK	572	626	IVE

HW SET: 28

DOOR NUMBER:

B213-1	C103-1	J113-1	L135-1	L136-1
--------	--------	--------	--------	--------

EACH TO HAVE:

3	EA	HINGE	5BB1 4.5 X 4.5	652	IVE
1	EA	ENTRY LOCK	T501H6D Q	626	FAL
1	EA	COMBINATED CORE	CB806	626	FAL
1	EA	OVERHEAD STOP	900S	630	GLY
3	EA	SILENCER	SR64	GRY	IVE
1	EA	COAT HOOK	572	626	IVE

HW SET: 29

DOOR NUMBER:

J118-1

EACH TO HAVE:

3	EA	HINGE	5BB1 4.5 X 4.5	652	IVE
1	EA	ENTRY LOCK	T501H6D Q	626	FAL
1	EA	COMBINATED CORE	CB806	626	FAL
1	EA	SURFACE CLOSER	4041 RW/PA	689	LCN

1	EA	DOOR STOP	WS402CCV/FS436 AS REQ'D	626	IVE
1	SET	SEALS	5020B	BRN	NGP
<u>1</u>	<u>EA</u>	<u>DOOR SWEEP</u>	<u>200NA</u>	<u>AL</u>	<u>NGP</u>
<u>1</u>	<u>EA</u>	<u>THRESHOLD</u>	<u>613</u>	<u>AL</u>	<u>NGP</u>
1	EA	COAT HOOK	572	626	IVE

HW SET: 30
DOOR NUMBER:
B213-2

EACH TO HAVE:

3	EA	HINGE	5BB1 4.5 X 4.5	652	IVE
1	EA	ENTRY LOCK	T501H6D Q	626	FAL
1	EA	COMBINATED CORE	CB806	626	FAL
1	EA	SURFACE CLOSER	4041 CUSH	689	LCN
1	SET	SEALS	5020B	BRN	NGP
<u>1</u>	<u>EA</u>	<u>DOOR SWEEP</u>	<u>200NA</u>	<u>AL</u>	<u>NGP</u>
<u>1</u>	<u>EA</u>	<u>THRESHOLD</u>	<u>613</u>	<u>AL</u>	<u>NGP</u>
1	EA	COAT HOOK	572	626	IVE

HW SET: 31
DOOR NUMBER:
H124-1

EACH TO HAVE:

3	EA	HINGE	5BB1 4.5 X 4.5	652	IVE
1	EA	ENTRY LOCK	T501H6D Q	626	FAL
1	EA	COMBINATED CORE	CB806	626	FAL
1	EA	DOOR STOP	WS402CCV/FS436 AS REQ'D	626	IVE
1	SET	SEALS	107NA	AL	NGP
1	EA	DOOR BOTTOM	220NA	AL	NGP
1	EA	THRESHOLD	613	AL	NGP
1	EA	COAT HOOK	572	626	IVE

HW SET: 31A SAD - STEEL ACOUSTICAL DOOR
DOOR NUMBER:
H144-1

EACH TO HAVE:

<u>1</u>	<u>EA</u>	<u>ENTRY LOCK</u>	<u>T501H6D O X 3-3/4" BS</u>	<u>626</u>	<u>FAL</u>
<u>1</u>	<u>EA</u>	<u>COMBINATED CORE</u>	<u>CB806</u>	<u>626</u>	<u>FAL</u>
<u>1</u>	<u>EA</u>	<u>DOOR STOP</u>	<u>WS402CCV/FS436 AS REQ'D</u>	<u>626</u>	<u>IVE</u>
<u>1</u>	<u>EA</u>	<u>COAT HOOK</u>	<u>572</u>	<u>626</u>	<u>IVE</u>

HW SET: 32
DOOR NUMBER:
C106-1 F105-1 J101-1

EACH TO HAVE:

3	EA	HINGE	5BB1 4.5 X 4.5	652	IVE
1	EA	STOREROOM LOCK	T581H7D Q	626	FAL
1	EA	COMBINATED CORE	CB806	626	FAL
1	EA	SURFACE CLOSER	4041 RW/PA	689	LCN

1	EA	DOOR STOP	WS402CCV/FS436 AS REQ'D	626	IVE
3	EA	SILENCER	SR64	GRY	IVE

HW SET: 33

DOOR NUMBER:

<u>A109-1</u>	A115-1	A125-1	A126-1	A134-1	A137-1
A142-1	A150-1	<u>B133-1</u>	B214-1	C102-1	C110-2
C123-1	C207-1	C214-1	E111-1	E2015-1	<u>E205-1</u>
F113-1	H153-1	H155-1	H160-1	J109-1	J121-1
J122-1	L123-1	L138-1	M109-1	<u>P105-3</u>	<u>P107-3</u>

EACH TO HAVE:

3	EA	HINGE	5BB1 4.5 X 4.5	652	IVE
1	EA	STOREROOM LOCK	T581H7D Q	626	FAL
1	EA	COMBINATED CORE	CB806	626	FAL
1	EA	SURFACE CLOSER	4041 RW/PA	689	LCN
1	EA	DOOR STOP	WS402CCV/FS436 AS REQ'D	626	IVE
1	SET	SEALS	5020B	BRN	NGP
<u>1</u>	<u>EA</u>	<u>DOOR SWEEP</u>	<u>200NA</u>	<u>AL</u>	<u>NGP</u>
<u>1</u>	<u>EA</u>	<u>THRESHOLD</u>	<u>613</u>	<u>AL</u>	<u>NGP</u>

HW SET: 34

DOOR NUMBER:

B214-2	C214-2	E205-2	L101-1	<u>L101A-1</u>
--------	--------	--------	--------	-----------------------

EACH TO HAVE:

3	EA	HINGE	5BB1 4.5 X 4.5	652	IVE
1	EA	STOREROOM LOCK	T581H7D Q	626	FAL
1	EA	COMBINATED CORE	CB806	626	FAL
1	EA	SURFACE CLOSER	4041 CUSH	689	LCN
1	SET	SEALS	5020B	BRN	NGP
<u>1</u>	<u>EA</u>	<u>DOOR SWEEP</u>	<u>200NA</u>	<u>AL</u>	<u>NGP</u>
<u>1</u>	<u>EA</u>	<u>THRESHOLD</u>	<u>613</u>	<u>AL</u>	<u>NGP</u>

HW SET: 35

DOOR NUMBER:

A110-1	A113-1	A149-1	<u>A155-1</u>	B108-1	B123-1
B218-1	B219-1	C201-1	C202-1	C204-1	C219-1
D109-1	D116-2	D217-1	D218-1	E102-1	E105-1
F104-1	H156-1	H157-1	J105-1	J114-1	<u>J126-1</u>
<u>J127-1</u>	K103-1	K115-1	K126-2		

EACH TO HAVE:

3	EA	HINGE	5BB1 4.5 X 4.5	652	IVE
1	EA	STOREROOM LOCK	T581H7D Q	626	FAL
1	EA	COMBINATED CORE	CB806	626	FAL
1	EA	DOOR STOP	WS402CCV/FS436 AS REQ'D	626	IVE
3	EA	SILENCER	SR64	GRY	IVE

HW SET: 36

DOOR NUMBER:

<u>A154-1</u>	B132-1	C109-1	C222-1	E103-1	<u>E103-2</u>
E202-1	J117-1	<u>K127-1</u>			

EACH TO HAVE:

6	EA	HINGE	5BB1 4.5 X 4.5	652	IVE
2	EA	MANUAL FLUSH BOLT	FB458/FB358 AS REQ'D	626	IVE
1	EA	DUST PROOF STRIKE	DP1/DP2 AS REQ'D	626	IVE
1	EA	STOREROOM LOCK	T581H7D Q X 98835S	626	FAL
1	EA	COMBINATED CORE	CB806	626	FAL
1	SET	ASTRAGAL	600	AL	NGP
1	EA	SURFACE CLOSER	4041 RW/PA	689	LCN
2	EA	DOOR STOP	WS402CCV/FS436 AS REQ'D	626	IVE
1	SET	SEALS	5020B	BRN	NGP
2	EA	DOOR SWEEP	200NA	AL	NGP
1	EA	THRESHOLD	613	AL	NGP

NOTE: INSTALL CLOSER @ ACTIVE LEAF ONLY.

HW SET: 37

DOOR NUMBER:

H152-1 H161-1 J108-1 L121-1

EACH TO HAVE:

6	EA	HINGE	5BB1 4.5 X 4.5	652	IVE
2	EA	MANUAL FLUSH BOLT	FB458/FB358 AS REQ'D	626	IVE
1	EA	DUST PROOF STRIKE	DP1/DP2 AS REQ'D	626	IVE
1	EA	STOREROOM LOCK	T581H7D Q X 98835S	626	FAL
1	EA	COMBINATED CORE	CB806	626	FAL
1	SET	ASTRAGAL	600	AL	NGP
1	EA	SURFACE CLOSER	4041 RW/PA	689	LCN
2	EA	DOOR STOP	WS402CCV/FS436 AS REQ'D	626	IVE
1	SET	SEALS	5020B	BRN	NGP
<u>2</u>	<u>EA</u>	<u>DOOR SWEEP</u>	<u>200NA</u>	<u>AL</u>	<u>NGP</u>
<u>1</u>	<u>EA</u>	<u>THRESHOLD</u>	<u>613</u>	<u>AL</u>	<u>NGP</u>

NOTE: INSTALL CLOSER @ ACTIVE LEAF ONLY.

HW SET: 38

DOOR NUMBER:

B124-1 H162-1

EACH TO HAVE:

6	EA	HINGE	5BB1 4.5 X 4.5	652	IVE
2	EA	MANUAL FLUSH BOLT	FB458/FB358 AS REQ'D	626	IVE
1	EA	DUST PROOF STRIKE	DP1/DP2 AS REQ'D	626	IVE
1	EA	STOREROOM LOCK	T581H7D Q	626	FAL
1	EA	COMBINATED CORE	CB806	626	FAL
2	EA	DOOR STOP	WS402CCV/FS436 AS REQ'D	626	IVE
2	EA	SILENCER	SR64	GRY	IVE

HW SET: 39

DOOR NUMBER:

E101-1 H118-1

EACH TO HAVE:

3	EA	HINGE	5BB1 4.5 X 4.5	652	IVE
1	EA	STOREROOM LOCK	T581H7D Q	626	FAL
1	EA	COMBINATED CORE	CB806	626	FAL
1	EA	OVERHEAD STOP	450S	630	GLY
3	EA	SILENCER	SR64	GRY	IVE

HW SET: 40

DOOR NUMBER:

G101-1

EACH TO HAVE:

6	EA	HINGE	5BB1 4.5 X 4.5	652	IVE
1	SET	AUTO FLUSH BOLT	FB41P	626	IVE
1	EA	DUST PROOF STRIKE	DP1/DP2 AS REQ'D	626	IVE
1	EA	STOREROOM LOCK	T581H7D Q X 98835S	626	FAL
1	EA	COMBINATED CORE	CB806	626	FAL
1	EA	COORDINATOR	COR X FL X MTG BRACKETS AS REQ'D	628	IVE
1	SET	ASTRAGAL	600	AL	NGP
2	EA	SURFACE CLOSER	4041 RW/PA	689	LCN
2	EA	DOOR STOP	WS402CCV/FS436 AS REQ'D	626	IVE
1	SET	SEALS	5020B	BRN	NGP
2	EA	DOOR SWEEP	200NA	AL	NGP
1	EA	THRESHOLD	613	AL	NGP

HW SET: 41

DOOR NUMBER:

A124-1

EACH TO HAVE:

3	EA	HINGE	5BB1 4.5 X 4.5	652	IVE
1	EA	PRIVACY SET	T301S Q	626	FAL
1	EA	OVERHEAD STOP	450S	630	GLY
3	EA	SILENCER	SR64	GRY	IVE

HW SET: 42

DOOR NUMBER:

A152-1 A153-1

EACH TO HAVE:

3	EA	HINGE	5BB1 4.5 X 4.5	652	IVE
1	EA	PRIVACY SPECIAL	M711H QG	626	FAL
1	EA	COMBINATED CORE	CB806	626	FAL
1	EA	OVERHEAD STOP	900S	630	GLY
3	EA	SILENCER	SR64	GRY	IVE

HW SET: 43

DOOR NUMBER:

B112-1 B127-1 C104-1 D110-1 F111-1 G109-1
G111-1 G121-1 H113-1 H115-1 L117-1 L118-1
M110-1

EACH TO HAVE:

3	EA	HINGE	5BB1 4.5 X 4.5	652	IVE
1	EA	PRIVACY SET	T301S Q	626	FAL
1	EA	DOOR STOP	WS402CCV/FS436 AS REQ'D	626	IVE
3	EA	SILENCER	SR64	GRY	IVE

HW SET: 44

DOOR NUMBER:

C105-1	C203-1	C205-1	D118-1	D119-1	E104-1
E106-1					

EACH TO HAVE:

3	EA	HINGE	5BB1 4.5 X 4.5	652	IVE
1	EA	PRIVACY SPECIAL	M711H QG	626	FAL
1	EA	COMBINATED CORE	CB806	626	FAL
1	EA	SURFACE CLOSER	4041 CUSH	689	LCN
3	EA	SILENCER	SR64	GRY	IVE

HW SET: 45

DOOR NUMBER:

B126-2

EACH TO HAVE:

3	EA	HINGE	5BB1 4.5 X 4.5	652	IVE
1	EA	PASSAGE SET	T101S Q	626	FAL
1	EA	DOOR STOP	WS402CCV/FS436 AS REQ'D	626	IVE
3	EA	SILENCER	SR64	GRY	IVE

HW SET: 46

DOOR NUMBER:

H159-7 H159-8

EACH TO HAVE:

3	EA	HINGE	5BB1 4.5 X 4.5	652	IVE
1	EA	PASSAGE SET	T101S Q	626	FAL
1	EA	DOOR STOP	WS402CCV/FS436 AS REQ'D	626	IVE
2	EA	SEALS	107NA @ JAMBS	AL	NGP
1	SET	SEALS	700SA @ HEAD	AL	NGP
1	EA	DOOR BOTTOM	220NA	AL	NGP
1	EA	THRESHOLD	613	AL	NGP

HW SET: 46A SAD - STEEL ACOUSTICAL DOOR

DOOR NUMBER:

H125-1	H126-1	H127-1	H128-1	H130-1	H131-1
H132-1	H133-1	H138-1	H139-1	H140-1	H141-1
H142-1	H148-1				

EACH TO HAVE:

<u>1</u>	<u>EA</u>	<u>PASSAGE SET</u>	<u>T101S O X 3-3/4" BS</u>	<u>626</u>	<u>FAL</u>
<u>1</u>	<u>EA</u>	<u>DOOR STOP</u>	<u>WS402CCV/FS436 AS REQ'D</u>	<u>626</u>	<u>IVE</u>

NOTE: BALANCE OF HARDWARE BY ACOUSTICAL DOOR MFG.

HW SET: 47 - NOT USED

HW SET: 48

DOOR NUMBER:

A111-1	A114-1	F112-1	G108-1	G110-1	G122-1
G123-1	H112-1	H114-1	J119-1	K111-2	K113-1
K116-1	L103-1	L103-2	M104-1		

EACH TO HAVE:

3	EA	HINGE	5BB1HW 4.5 X 4.5	652	IVE
1	EA	PUSH PLATE	8200 6" X 16"	630	IVE
1	EA	PULL PLATE	8303EZ-0 6" X 16"	630	IVE
1	EA	SURFACE CLOSER	4041 RW/PA	689	LCN
1	EA	KICK PLATE	8400 10" X 2" LDW	630	IVE
1	EA	DOOR STOP	WS402CCV/FS436 AS REQ'D	626	IVE
3	EA	SILENCER	SR64	GRY	IVE

HW SET: 49 WAD - WOOD ACOUSTICAL DOOR

DOOR NUMBER:

H137-1

EACH TO HAVE:

1	EA	PUSH PLATE	8200 6" X 16"	630	IVE
1	EA	PULL PLATE	8303EZ-0 6" X 16"	630	IVE
1	EA	SURFACE CLOSER	4041 RW/PA	689	LCN
1	EA	KICK PLATE	8400 10" X 2" LDW	630	IVE
1	EA	DOOR STOP	WS402CCV/FS436 AS REQ'D	626	IVE

NOTE: BALANCE OF HARDWARE BY ACOUSTICAL DOOR MFG.

HW SET: 50

DOOR NUMBER:

L115-1	L131-1	L137-1	L140-1
--------	--------	--------	--------

EACH TO HAVE:

3	EA	HINGE	5BB1HW 4.5 X 4.5	630	IVE
1	EA	PUSH PLATE	8200 6" X 16"	630	IVE
1	EA	PULL PLATE	8303EZ-0 6" X 16"	630	IVE
1	EA	SURFACE CLOSER	4041 EDA X SRI	689	LCN
1	EA	KICK PLATE	8400 10" X 2" LDW	630	IVE
1	EA	DOOR STOP	WS402CCV/FS436 AS REQ'D	626	IVE
3	EA	SILENCER	SR64	GRY	IVE

HW SET: 51

DOOR NUMBER:

A100-3	A100-4
--------	--------

EACH TO HAVE:

2	EA	CONTINUOUS HINGE	112HD	628	IVE
2	SET	MULLION STABILIZER	154	689	VON
1	EA	MULLION	KR4954	689	VON
1	EA	MULLION STORAGE KIT	MT54	689	VON
2	EA	PANIC HARDWARE	CD98L 996L-17	626	VON
2	EA	RIM CYLINDER	C953H	626	FAL
3	EA	MORTISE CYLINDER	C987H X REQ'D CAM/COLLAR	626	FAL
5	EA	COMBINATED CORE	CB806	626	FAL
2	EA	SURFACE CLOSER	4041 SCUSH	689	LCN
2	EA	MOUNTING PLATE	4040-18PA X AS REQ'D	689	LCN
2	EA	CUSH SHOE SUPPORT	4140-30 X AS REQ'D	689	LCN
2	EA	BLADE STOP SPACER	4140-61 X AS REQ'D	689	LCN
1	SET	SEALS	BY DOOR MANUFACTURER		B/O

HW SET: 51A

DOOR NUMBER:

A101-1 A101-2

EACH TO HAVE:

<u>1</u>	<u>EA</u>	<u>CONTINUOUS HINGE</u>	<u>112HD</u>	<u>628</u>	<u>IVE</u>
<u>1</u>	<u>EA</u>	<u>PANIC HARDWARE</u>	<u>CD98L 996L-17</u>	<u>626</u>	<u>VON</u>
<u>1</u>	<u>EA</u>	<u>RIM CYLINDER</u>	<u>C953H</u>	<u>626</u>	<u>FAL</u>
<u>1</u>	<u>EA</u>	<u>MORTISE CYLINDER</u>	<u>C987H X REQ'D CAM/COLLAR</u>	<u>626</u>	<u>FAL</u>
<u>2</u>	<u>EA</u>	<u>COMBINATED CORE</u>	<u>CB806</u>	<u>626</u>	<u>FAL</u>
<u>1</u>	<u>EA</u>	<u>SURFACE CLOSER</u>	<u>4041 CUSH</u>	<u>689</u>	<u>LCN</u>
<u>1</u>	<u>EA</u>	<u>MOUNTING PLATE</u>	<u>4040-18PA X AS REQ'D</u>	<u>689</u>	<u>LCN</u>
<u>1</u>	<u>EA</u>	<u>CUSH SHOE SUPPORT</u>	<u>4140-30 X AS REQ'D</u>	<u>689</u>	<u>LCN</u>
<u>1</u>	<u>EA</u>	<u>BLADE STOP SPACER</u>	<u>4140-61 X AS REQ'D</u>	<u>689</u>	<u>LCN</u>
<u>1</u>	<u>SET</u>	<u>SEALS</u>	<u>BY DOOR MANUFACTURER</u>		<u>B/O</u>

HW SET: 52

DOOR NUMBER:

A145-1 L141-1

EACH TO HAVE:

6	EA	HINGE	5BB1HW 4.5 X 4.5	652	IVE
2	SET	MULLION STABILIZER	154	689	VON
1	EA	MULLION	KR4954	689	VON
1	EA	MULLION STORAGE KIT	MT54	689	VON
2	EA	PANIC HARDWARE	CD98L 996L-17	626	VON
2	EA	RIM CYLINDER	C953H	626	FAL
3	EA	MORTISE CYLINDER	C987H X REQ'D CAM/COLLAR	626	FAL
5	EA	COMBINATED CORE	CB806	626	FAL
2	EA	SURFACE CLOSER	4041 SCUSH	689	LCN
2	EA	SILENCER	SR64	GRY	IVE

HW SET: 53

DOOR NUMBER:

B101-1 B101-2 J107-1 K106-1

EACH TO HAVE:

3	EA	HINGE	5BB1HW 4.5 X 4.5	652	IVE
1	EA	PANIC HARDWARE	CD98L-2 996L-17	626	VON
2	EA	RIM CYLINDER	C953H	626	FAL
1	EA	MORTISE CYLINDER	C987H X REQ'D CAM/COLLAR	626	FAL
3	EA	COMBINATED CORE	CB806	626	FAL
1	EA	SURFACE CLOSER	4041 EDA	689	LCN
1	EA	DOOR STOP	WS402CCV/FS436 AS REQ'D	626	IVE
2	EA	SEALS	107NA @ JAMBS	AL	NGP
1	SET	SEALS	700SA @ HEAD	AL	NGP
1	EA	DOOR BOTTOM	220NA	AL	NGP
1	EA	THRESHOLD	613	AL	NGP

HW SET: 53A SAD - STEEL ACOUSTICAL DOOR

DOOR NUMBER:

H116-2

EACH TO HAVE:

<u>1</u>	<u>EA</u>	<u>PANIC HARDWARE</u>	<u>CD98L-2 996L-17</u>	<u>626</u>	<u>VON</u>
<u>2</u>	<u>EA</u>	<u>RIM CYLINDER</u>	<u>C953H</u>	<u>626</u>	<u>FAL</u>
<u>1</u>	<u>EA</u>	<u>MORTISE CYLINDER</u>	<u>C987H X REQ'D CAM/COLLAR</u>	<u>626</u>	<u>FAL</u>
<u>3</u>	<u>EA</u>	<u>COMBINATED CORE</u>	<u>CB806</u>	<u>626</u>	<u>FAL</u>
<u>1</u>	<u>EA</u>	<u>SURFACE CLOSER</u>	<u>4041 EDA</u>	<u>689</u>	<u>LCN</u>
<u>1</u>	<u>EA</u>	<u>DOOR STOP</u>	<u>WS402CCV/FS436 AS REQ'D</u>	<u>626</u>	<u>IVE</u>

NOTE: BALANCE OF HARDWARE BY ACOUSTICAL DOOR MFG.

HW SET: 54

DOOR NUMBER:

J102-1	J102-2	J102-3	J102-4	K101-1	K101-2
K101-3	K101-4				

EACH TO HAVE:

6	EA	HINGE	5BB1HW 4.5 X 4.5	652	IVE
2	SET	MULLION STABILIZER	154	689	VON
1	EA	MULLION	KR4954	689	VON
1	EA	MULLION STORAGE KIT	MT54	689	VON
2	EA	PANIC HARDWARE	CD98L-2 996L-17	626	VON
2	EA	RIM CYLINDER	C953H	626	FAL
3	EA	MORTISE CYLINDER	C987H X REQ'D CAM/COLLAR	626	FAL
5	EA	COMBINATED CORE	CB806	626	FAL
1	EA	MULLION SEAL	5100	BLK	NGP
2	EA	SURFACE CLOSER	4041 EDA	689	LCN
2	EA	DOOR STOP	WS402CCV/FS436 AS REQ'D	626	IVE
2	EA	SEALS	107NA @ JAMBS	AL	NGP
1	SET	SEALS	700SA @ HEAD	AL	NGP
2	EA	DOOR BOTTOM	220NA	AL	NGP
1	EA	THRESHOLD	613	AL	NGP

HW SET: 54A SAD - STEEL ACOUSTICAL DOOR

DOOR NUMBER:

H116-1 H151-1 H151-2

EACH TO HAVE:

<u>2</u>	<u>EA</u>	<u>SET MULLION STABILIZER</u>	<u>154</u>	<u>689</u>	<u>VON</u>
<u>1</u>	<u>EA</u>	<u>MULLION</u>	<u>KR4954</u>	<u>689</u>	<u>VON</u>
<u>1</u>	<u>EA</u>	<u>MULLION STORAGE KIT</u>	<u>MT54</u>	<u>689</u>	<u>VON</u>
<u>2</u>	<u>EA</u>	<u>PANIC HARDWARE</u>	<u>CD98L-2 996L-17</u>	<u>626</u>	<u>VON</u>
<u>2</u>	<u>EA</u>	<u>RIM CYLINDER</u>	<u>C953H</u>	<u>626</u>	<u>FAL</u>
<u>3</u>	<u>EA</u>	<u>MORTISE CYLINDER</u>	<u>C987H X REQ'D CAM/COLLAR</u>	<u>626</u>	<u>FAL</u>
<u>5</u>	<u>EA</u>	<u>COMBINATED CORE</u>	<u>CB806</u>	<u>626</u>	<u>FAL</u>
<u>1</u>	<u>EA</u>	<u>MULLION SEAL</u>	<u>5100</u>	<u>BLK</u>	<u>NGP</u>
<u>2</u>	<u>EA</u>	<u>SURFACE CLOSER</u>	<u>4041 EDA</u>	<u>689</u>	<u>LCN</u>
<u>2</u>	<u>EA</u>	<u>DOOR STOP</u>	<u>WS402CCV/FS436 AS REQ'D</u>	<u>626</u>	<u>IVE</u>

NOTE: BALANCE OF HARDWARE BY ACOUSTICAL DOOR MFG.

HW SET: 55

DOOR NUMBER:

B111-1	B111-2	G107-1	G118-1	G119-1	H110-1
H119-1	J110-1	J115-1	K111-1	K118-1	

EACH TO HAVE:

3	EA	HINGE	5BB1HW 4.5 X 4.5	652	IVE
1	EA	PANIC HARDWARE	CD98L-2 996L-17	626	VON
2	EA	RIM CYLINDER	C953H	626	FAL
1	EA	MORTISE CYLINDER	C987H X REQ'D CAM/COLLAR	626	FAL
3	EA	COMBINATED CORE	CB806	626	FAL
1	EA	SURFACE CLOSER	4041 EDA	689	LCN
1	EA	DOOR STOP	WS402CCV/FS436 AS REQ'D	626	IVE
3	EA	SILENCER	SR64	GRY	IVE

HW SET: 56 - NOT USED

HW SET: 56A

DOOR NUMBER:

H121-1

EACH TO HAVE:

<u>1</u>	<u>EA</u>	<u>PANIC HARDWARE</u>	<u>CD98L 996L-17</u>	<u>626</u>	<u>VON</u>
<u>1</u>	<u>EA</u>	<u>RIM CYLINDER</u>	<u>C953H</u>	<u>626</u>	<u>FAL</u>
<u>1</u>	<u>EA</u>	<u>MORTISE CYLINDER</u>	<u>C987H X REQ'D CAM/COLLAR</u>	<u>626</u>	<u>FAL</u>
<u>2</u>	<u>EA</u>	<u>COMBINATED CORE</u>	<u>CB806</u>	<u>626</u>	<u>FAL</u>
<u>1</u>	<u>EA</u>	<u>SURFACE CLOSER</u>	<u>4041 EDA</u>	<u>689</u>	<u>LCN</u>
<u>1</u>	<u>EA</u>	<u>DOOR STOP</u>	<u>WS402CCV/FS436 AS REQ'D</u>	<u>626</u>	<u>IVE</u>

NOTE: BALANCE OF HARDWARE BY ACOUSTICAL DOOR MFG.

HW SET: 57

DOOR NUMBER:

<u>C100-1</u>	C111-1	C111-2	C112-1	C124-1	C209-1
C217-1	E120-1	E130-1	E212-1	E221-1	G100-2
J106-1					

EACH TO HAVE:

6	EA	HINGE	5BB1HW 4.5 X 4.5	652	IVE
2	SET	MULLION STABILIZER	154	689	VON
1	EA	MULLION	KR9954	689	VON
1	EA	MULLION STORAGE KIT	MT54	689	VON
2	EA	FIRE EXIT HARDWARE	98L-F-BE 996L-BE 17	626	VON
1	EA	MULLION SEAL	5100	BLK	NGP
2	EA	SURFACE CLOSER	4041 EDA	689	LCN
2	EA	DOOR STOP	WS402CCV/FS436 AS REQ'D	626	IVE
1	EA	SEALS	161SA @ JAMBS	AL	NGP
1	SET	SEALS	700SA @ HEAD	AL	NGP
<u>2</u>	<u>EA</u>	<u>DOOR SWEEP</u>	<u>200NA</u>	<u>AL</u>	<u>NGP</u>
<u>1</u>	<u>EA</u>	<u>THRESHOLD</u>	<u>613</u>	<u>AL</u>	<u>NGP</u>

HW SET: 57A

DOOR NUMBER:

B109-1 D100-1 D117-1 E100-1 E131-1 F100-1
H163-1

EACH TO HAVE:

<u>6</u>	<u>EA</u>	<u>HINGE</u>	<u>5BB1HW 5 X 4.5</u>	<u>652</u>	<u>IVE</u>
<u>2</u>	<u>SET</u>	<u>MULLION STABILIZER</u>	<u>154</u>	<u>689</u>	<u>VON</u>
<u>1</u>	<u>EA</u>	<u>MULLION</u>	<u>KR9954</u>	<u>689</u>	<u>VON</u>
<u>1</u>	<u>EA</u>	<u>MULLION STORAGE KIT</u>	<u>MT54</u>	<u>689</u>	<u>VON</u>
<u>2</u>	<u>EA</u>	<u>FIRE EXIT HARDWARE</u>	<u>98L-F 996L 17</u>	<u>626</u>	<u>VON</u>
<u>2</u>	<u>EA</u>	<u>RIM CYLINDER</u>	<u>C953H</u>	<u>626</u>	<u>FAL</u>
<u>1</u>	<u>EA</u>	<u>MORTISE CYLINDER</u>	<u>C987H X REQ'D CAM/COLLAR</u>	<u>626</u>	<u>FAL</u>
<u>3</u>	<u>EA</u>	<u>COMBINATED CORE</u>	<u>CB806</u>	<u>626</u>	<u>FAL</u>
<u>1</u>	<u>EA</u>	<u>MULLION SEAL</u>	<u>5100</u>	<u>BLK</u>	<u>NGP</u>
<u>2</u>	<u>EA</u>	<u>SURFACE CLOSER</u>	<u>4041 EDA</u>	<u>689</u>	<u>LCN</u>
<u>2</u>	<u>EA</u>	<u>DOOR STOP</u>	<u>WS402CCV/FS436 AS REQ'D</u>	<u>626</u>	<u>IVE</u>
<u>1</u>	<u>EA</u>	<u>SEALS</u>	<u>161SA @ JAMBS</u>	<u>AL</u>	<u>NGP</u>
<u>1</u>	<u>SET</u>	<u>SEALS</u>	<u>700SA @ HEAD</u>	<u>AL</u>	<u>NGP</u>
<u>2</u>	<u>EA</u>	<u>DOOR SWEEP</u>	<u>200NA</u>	<u>AL</u>	<u>NGP</u>
<u>1</u>	<u>EA</u>	<u>THRESHOLD</u>	<u>613</u>	<u>AL</u>	<u>NGP</u>

HW SET: 58

DOOR NUMBER:

G102-1 G103-2 G104-3

EACH TO HAVE:

3	EA	HINGE	5BB1HW 4.5 X 4.5	652	IVE
1	EA	FIRE EXIT HARDWARE	98L-F 996L 17	626	VON
1	EA	RIM CYLINDER	C953H	626	FAL
1	EA	COMBINATED CORE	CB806	626	FAL
1	EA	SURFACE CLOSER	4041 EDA	689	LCN
1	EA	DOOR STOP	WS402CCV/FS436 AS REQ'D	626	IVE
1	SET	SEALS	5020B	BRN	NGP
<u>1</u>	<u>EA</u>	<u>DOOR SWEEP</u>	<u>200NA</u>	<u>AL</u>	<u>NGP</u>
<u>1</u>	<u>EA</u>	<u>THRESHOLD</u>	<u>613</u>	<u>AL</u>	<u>NGP</u>

HW SET: 59
DOOR NUMBER:
K110-1

EACH TO HAVE:

3	EA	HINGE	5BB1HW 4.5 X 4.5	652	IVE
1	EA	FIRE EXIT HARDWARE	98L-F 996L 17	626	VON
1	EA	RIM CYLINDER	C953H	626	FAL
1	EA	COMBINATED CORE	CB806	626	FAL
1	EA	SURFACE CLOSER	4041 CUSH	689	LCN
1	SET	SEALS	5020B	BRN	NGP
<u>1</u>	<u>EA</u>	<u>DOOR SWEEP</u>	<u>200NA</u>	<u>AL</u>	<u>NGP</u>
<u>1</u>	<u>EA</u>	<u>THRESHOLD</u>	<u>613</u>	<u>AL</u>	<u>NGP</u>

HW SET: 60
DOOR NUMBER:
G116-1 H102-1 H106-1

EACH TO HAVE:

3	EA	HINGE	5BB1HW 4.5 X 4.5	652	IVE
1	EA	PANIC HARDWARE	CD98L-2 996L-17	626	VON
2	EA	RIM CYLINDER	C953H	626	FAL
1	EA	MORTISE CYLINDER	C987H X REQ'D CAM/COLLAR	626	FAL
3	EA	COMBINATED CORE	CB806	626	FAL
1	EA	SURFACE CLOSER	4041 CUSH	689	LCN
3	EA	SILENCER	SR64	GRY	IVE

HW SET: 61
DOOR NUMBER:
H100-1

EACH TO HAVE:

6	EA	HINGE	5BB1HW 4.5 X 4.5	652	IVE
2	SET	MULLION STABILIZER	154	689	VON
1	EA	MULLION	KR4954	689	VON
1	EA	MULLION STORAGE KIT	MT54	689	VON
2	EA	PANIC HARDWARE	CD98L-BE 996L-BE 17	626	VON
2	EA	MORTISE CYLINDER	C987H X REQ'D CAM/COLLAR	626	FAL
2	EA	COMBINATED CORE	CB806	626	FAL
2	EA	SURFACE CLOSER	4041 EDA	689	LCN
2	EA	DOOR STOP	WS402CCV/FS436 AS REQ'D	626	IVE
2	EA	SILENCER	SR64	GRY	IVE

HW SET: 62 WAD - WOOD ACOUSTICAL DOOR
DOOR NUMBER:
H101-2

EACH TO HAVE:

2	SET	MULLION STABILIZER	154	689	VON
1	EA	MULLION	KR9954	689	VON
1	EA	MULLION STORAGE KIT	MT54	689	VON
2	EA	FIRE EXIT HARDWARE	98L-F-BE 996L-BE 17	626	VON
1	EA	MORTISE CYLINDER	C987H X REQ'D CAM/COLLAR	626	FAL

1	EA	COMBINATED CORE	CB806	626	FAL
1	EA	MULLION SEAL	5100	BLK	NGP
2	EA	SURFACE CLOSER	4041 EDA	689	LCN
2	EA	DOOR STOP	WS402CCV/FS436 AS REQ'D	626	IVE

NOTE: BALANCE OF HARDWARE BY ACOUSTICAL DOOR MFG.

HW SET: 63 WAD - WOOD ACOUSTICAL DOOR

DOOR NUMBER:

H136-1

EACH TO HAVE:

1	EA	PANIC HARDWARE	CD98L-2 996L-17	626	VON
2	EA	RIM CYLINDER	C953H	626	FAL
1	EA	MORTISE CYLINDER	C987H X REQ'D CAM/COLLAR	626	FAL
3	EA	COMBINATED CORE	CB806	626	FAL
1	EA	SURFACE CLOSER	4041 EDA	689	LCN

NOTE: BALANCE OF HARDWARE BY ACOUSTICAL DOOR MFG.

HW SET: 63A SAD - STEEL ACOUSTICAL DOOR

DOOR NUMBER:

H122-1

EACH TO HAVE:

<u>1</u>	<u>EA</u>	<u>PANIC HARDWARE</u>	<u>CD98L-2 996L-17</u>	<u>626</u>	<u>VON</u>
<u>2</u>	<u>EA</u>	<u>RIM CYLINDER</u>	<u>C953H</u>	<u>626</u>	<u>FAL</u>
<u>1</u>	<u>EA</u>	<u>MORTISE CYLINDER</u>	<u>C987H X REQ'D CAM/COLLAR</u>	<u>626</u>	<u>FAL</u>
<u>3</u>	<u>EA</u>	<u>COMBINATED CORE</u>	<u>CB806</u>	<u>626</u>	<u>FAL</u>
<u>1</u>	<u>EA</u>	<u>SURFACE CLOSER</u>	<u>4041 EDA</u>	<u>689</u>	<u>LCN</u>
<u>1</u>	<u>EA</u>	<u>DOOR STOP</u>	<u>WS402CCV/FS436 AS REQ'D</u>	<u>626</u>	<u>IVE</u>

NOTE: BALANCE OF HARDWARE BY ACOUSTICAL DOOR MFG.

HW SET: 64

DOOR NUMBER:

H151-4

EACH TO HAVE:

3	EA	HINGE	5BB1HW 4.5 X 4.5	630	IVE
1	EA	PANIC HARDWARE	CD98L-2 996L-17	626	VON
2	EA	RIM CYLINDER	C953H	626	FAL
1	EA	MORTISE CYLINDER	C987H X REQ'D CAM/COLLAR	626	FAL
3	EA	COMBINATED CORE	CB806	626	FAL
1	EA	SURFACE CLOSER	4041 EDA	689	LCN
1	EA	DOOR STOP	WS402CCV/FS436 AS REQ'D	626	IVE
2	EA	SEALS	107NA @ JAMBS	AL	NGP
1	SET	SEALS	700SA @ HEAD	AL	NGP
1	EA	DOOR BOTTOM	220NA	AL	NGP
1	EA	THRESHOLD	613	AL	NGP

HW SET: 64A SAD - STEEL ACOUSTICAL DOOR
 DOOR NUMBER:

H151-3 H159-2 H159-5

EACH TO HAVE:

1	EA	FIRE EXIT HARDWARE	98L-F-2 996L 17	626	VON
2	EA	RIM CYLINDER	C953H	626	FAL
2	EA	COMBINATED CORE	CB806	626	FAL
1	EA	SURFACE CLOSER	4041 EDA	689	LCN
1	EA	DOOR STOP	WS402CCV/FS436 AS REQ'D	626	IVE

NOTE: BALANCE OF HARDWARE BY ACOUSTICAL DOOR MFG.

HW SET: 65 - NOT USED

HW SET: 66

DOOR NUMBER:

B209-1	B209-2	B215-1	B215-2	B216-1	B216-2
B222-1	B222-2	B223-1	B223-2	C210-1	C210-2
C212-1	C212-2	C215-1	C215-2	C216-1	C216-2
C223-1	C223-2	C224-1	C224-2	E203-1	E203-2
E206-1	E206-2	E215-1	E215-2	E219-1	E219-2

EACH TO HAVE:

3	EA	HINGE	5BB1HW 4.5 X 4.5	652	IVE
1	EA	FIRE EXIT HARDWARE	98L-F-2 996L 17	626	VON
2	EA	RIM CYLINDER	C953H	626	FAL
2	EA	COMBINATED CORE	CB806	626	FAL
1	EA	SURFACE CLOSER	4041 EDA	689	LCN
1	EA	DOOR STOP	WS402CCV/FS436 AS REQ'D	626	IVE
2	EA	SEALS	161SA @ JAMBS	AL	NGP
1	SET	SEALS	700SA @ HEAD	AL	NGP
<u>1</u>	<u>EA</u>	<u>DOOR SWEEP</u>	<u>200NA</u>	<u>AL</u>	<u>NGP</u>
<u>1</u>	<u>EA</u>	<u>THRESHOLD</u>	<u>613</u>	<u>AL</u>	<u>NGP</u>

HW SET: 67

DOOR NUMBER:

L102-1	L111-1	L120-1	L128-1	L141-3	L141-4
--------	--------	--------	--------	--------	--------

EACH TO HAVE:

3	EA	HINGE	5BB1HW 4.5 X 4.5	652	IVE
1	EA	PANIC HARDWARE	CD98L 996L-17	626	VON
1	EA	RIM CYLINDER	C953H	626	FAL
1	EA	MORTISE CYLINDER	C987H X REQ'D CAM/COLLAR	626	FAL
2	EA	COMBINATED CORE	CB806	626	FAL
1	EA	SURFACE CLOSER	4041 EDA	689	LCN
1	EA	DOOR STOP	WS402CCV/FS436 AS REQ'D	626	IVE
3	EA	SILENCER	SR64	GRY	IVE

HW SET: 68

DOOR NUMBER:

A105-2	A105-3	<u>B201-1</u>	C110-1	<u>D201-1</u>	<u>D207-1</u>
F102-1	F102-2	F102-4	F102-5	F102-7	F102-8
G104-1	G107-2	G119-2	H137-3	H154-2	H159-3
H159-4	H164-1	J101-2	J103-1	L119-2	L121-3
M114-2	M114-3	<u>P106-1</u>	<u>P106-2</u>	<u>P106-3</u>	<u>P106-4</u>
<u>P106-5</u>	<u>P106-6</u>	<u>P112-2</u>	<u>P112-3</u>	<u>P112-4</u>	

EACH TO HAVE:

1	EA	MORTISE CYLINDER	C987H X REQ'D CAM/COLLAR	626	FAL
1	EA	COMBINATED CORE	CB806	626	FAL
1	EA	KEYSWITCH	653-0505	630	SCE
		NOTE:	BALANCE OF HARDWARE BY MANUFACTURER		B/O

HW SET: 69

DOOR NUMBER:

DISPLAY CASES

EACH TO HAVE:

	EA	CYLINDER	C953H/C987H AS REQ'D	626	FAL
	EA	COMBINATED CORE	CB806	626	FAL
		NOTE:	BALANCE OF HARDWARE BY MANUFACTURER		B/O

NOTE: COORDINATE CYLINDER TYPE & QUANTITY REQUIREMENTS WITH GLASS SLIDING DOOR MFG.

HW SET: 70

DOOR NUMBER:

G112-1	G119-4	H159-6	J122-2	K119-3	L108-1
L109-1	L122-1	L122-2	L127-1	L127-2	M121-1

EACH TO HAVE:

1	EA	CYLINDER	C953H/C987H AS REQ'D	626	FAL
1	EA	COMBINATED CORE	CB806	626	FAL
<u>1</u>	<u>EA</u>	<u>PADLOCK</u>	<u>KS41G1200</u>	<u>625</u>	<u>SCH</u>
		NOTE:	BALANCE OF HARDWARE BY MANUFACTURER		B/O

HW SET: 71

DOOR NUMBER:

CHAIN LINK GATE

EACH TO HAVE:

1	EA	COMBINATED CORE	CB806	626	FAL
1	EA	PADLOCK	KS41G1200	625	SCH
		NOTE:	BALANCE OF HARDWARE BY GATE MANUFACTURER		B/O

HW SET: 71A

DOOR NUMBER:

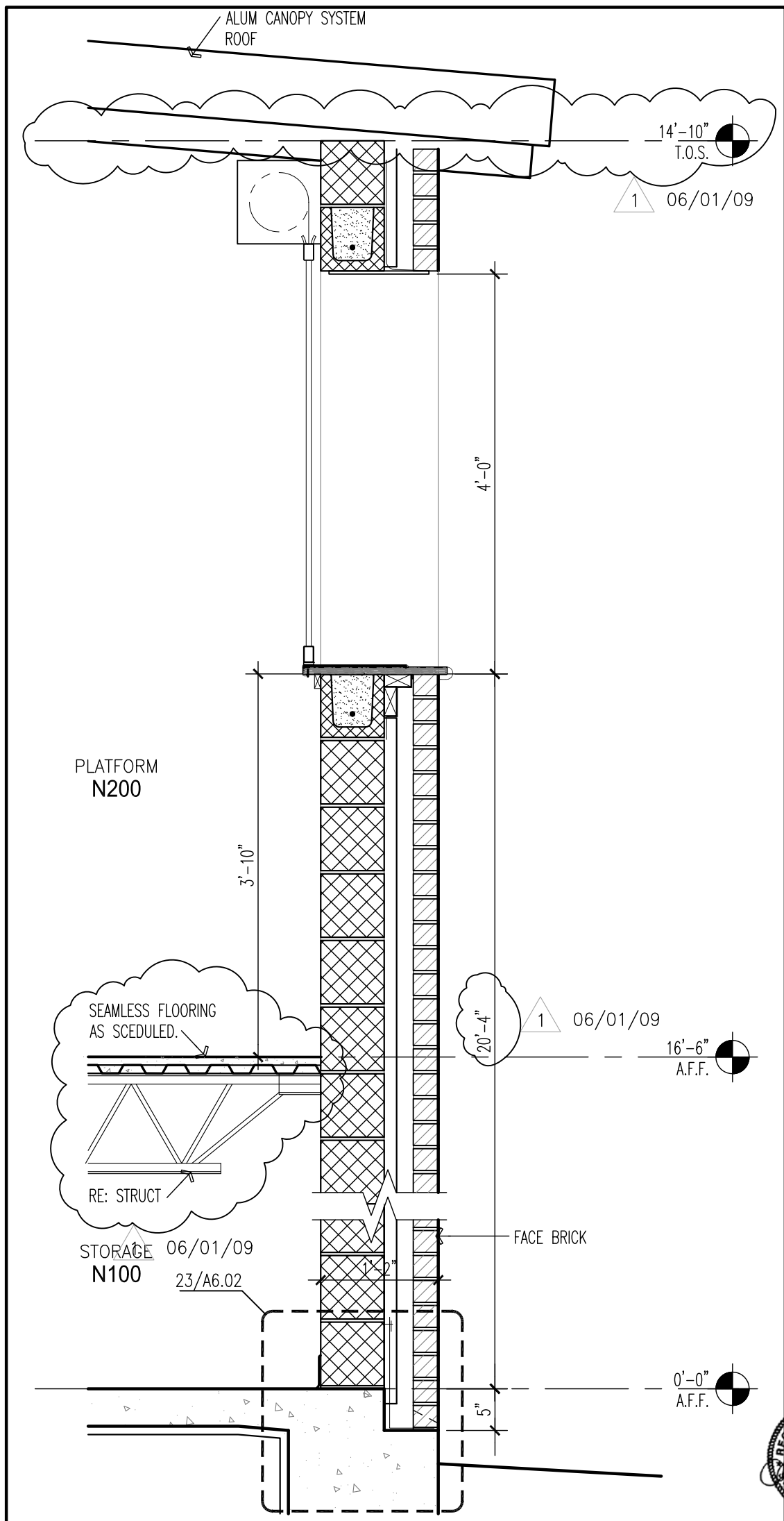
PEDESTRIAN GATE

EACH TO HAVE:

<i>1</i>	<i>EA</i>	<i>PANIC HARDWARE</i>	<i>HH-CD98EO</i>	<i>626</i>	<i>VON</i>
<i>1</i>	<i>EA</i>	<i>RIM CYLINDER</i>	<i>C953H</i>	<i>626</i>	<i>FAL</i>
<i>1</i>	<i>EA</i>	<i>MORTISE CYLINDER</i>	<i>C987H X REQ'D CAM/COLLAR</i>	<i>626</i>	<i>FAL</i>
<i>2</i>	<i>EA</i>	<i>COMBINATED CORE</i>	<i>CB806</i>	<i>626</i>	<i>FAL</i>
<i>1</i>	<i>EA</i>	<i>DOOR PULL</i>	<i>VR910NL</i>	<i>630</i>	<i>IVE</i>

NOTE: BALANCE OF HARDWARE BY GATE MFG.

END OF SECTION



14 WALL SECTION

x-wallsections.dwg
3/4" = 1'-0"



04/10/08

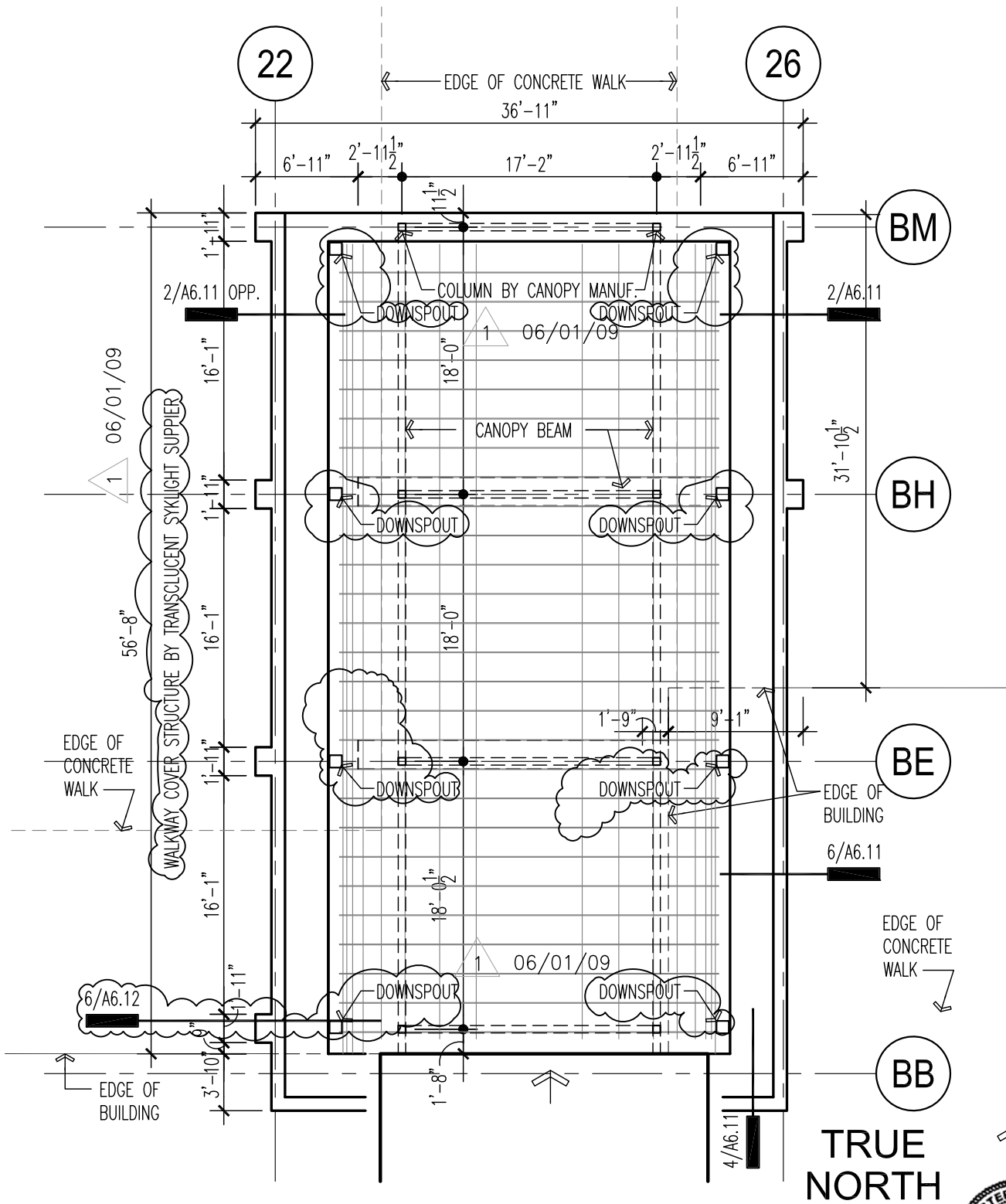
14/ C1.09 WALL SECTION



BAY ARCHITECTS
18201 GULF FREEWAY
P.O. BOX 891209
HOUSTON, TEXAS 77289
281.286.6605

New
Texas City High School
1501 NINTH AVENUE NORTH
TEXAS CITY, TEXAS 77590
Texas City Independent School District

ADD-01-01
0748
3/4" = 1'-0"
June 1, 2009
C1.09-0748.dwg

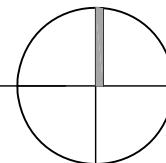


1

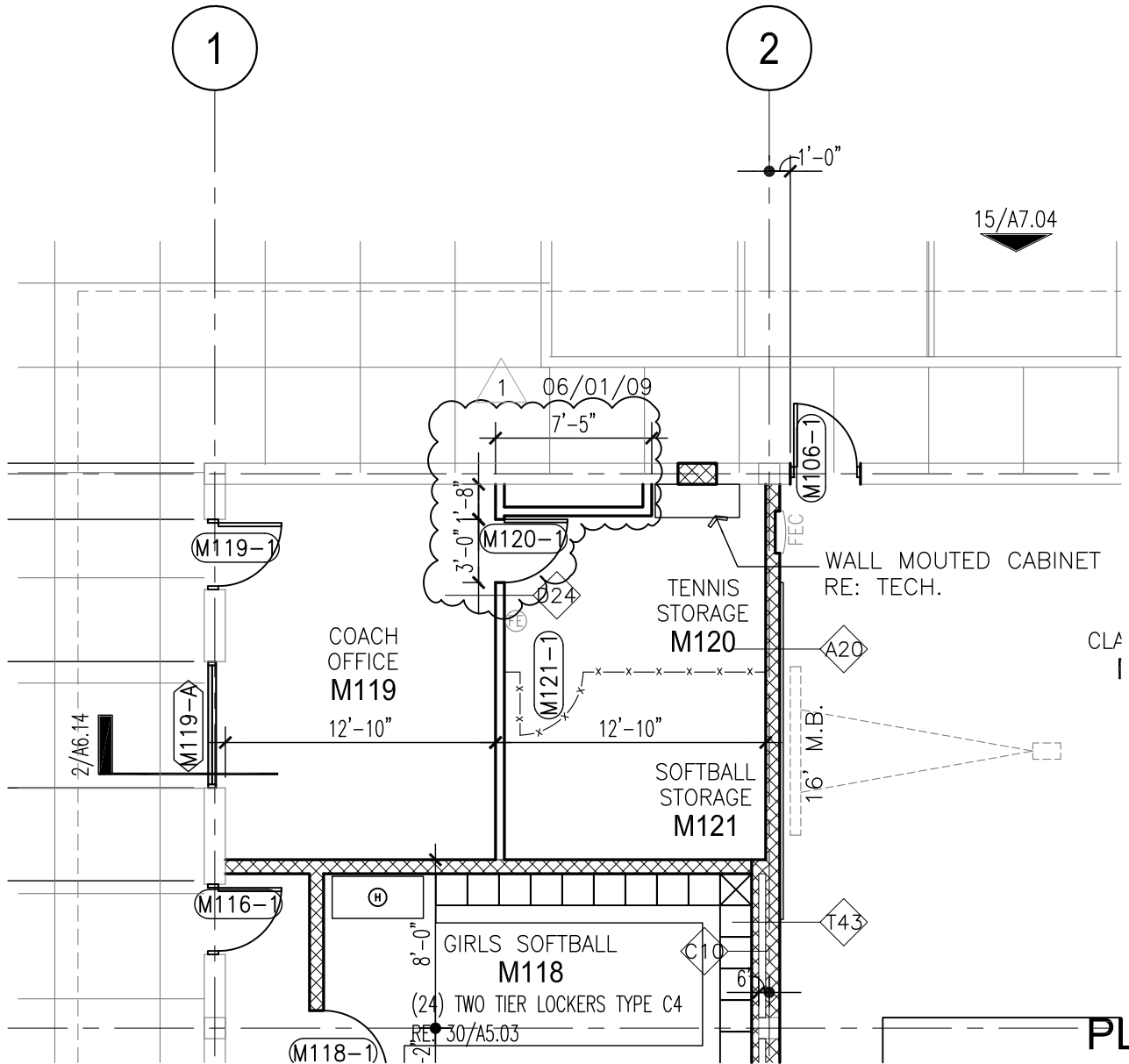
OPY PLAN

SCALE: 1" = 10'-0"

TRUE NORTH



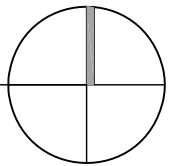
New
Texas City High School
 1501 NINTH AVENUE NORTH
 TEXAS CITY, TEXAS 77590
 Texas City Independent School District



PLAN NORTH

1 PARTIAL FLOOR PLAN AREA "M"

SCALE: 1/8" = 1'-0"



BAY ARCHITECTS
 18201 GULF FREEWAY
 P.O. BOX 891209
 HOUSTON, TEXAS 77289
 281.286.6605

New Texas City High School

1501 NINTH AVENUE NORTH
 TEXAS CITY, TEXAS 77590

Texas City Independent School District

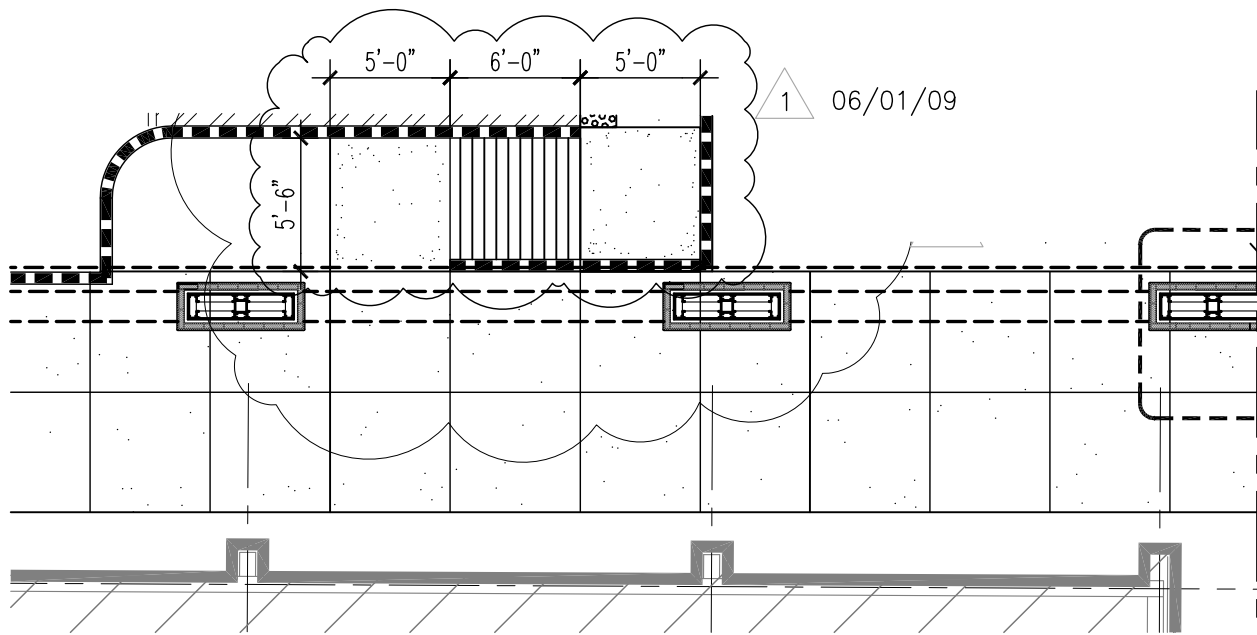
ADD-01-03

0748

1" = 10'-0"

June 1, 2009

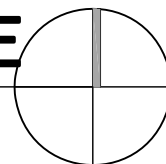
A2.31-0748.dwg



PLAN
NORTH

1 ADA RAMP TO EXIS. STING DOME

SCALE: 1/8" = 1'-0"



BAY ARCHITECTS

18201 GULF FREEWAY
P.O. BOX 891209
HOUSTON, TEXAS 77289
281.286.6605

New
Texas City High School

1501 NINTH AVENUE NORTH
TEXAS CITY, TEXAS 77590

Texas City Independent School District

ADD-01-04

0748

1" = 10'-0"

June 1, 2009

A2.32-0748.dwg

ions
'-0"

ions
'-0"

ions
'-0"

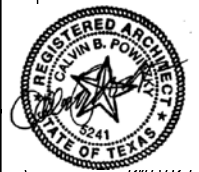
ions
'-0"

PRE FIN ALUM ROOF
BY ALUM CANOPY MANUF.

PAINTED CMU
WALL

11'-³/₈"

12'-0"



3 WALL SECTION

x-wallsections
3/4" = 1'-0"



BAY ARCHITECTS
18201 GULF FREEWAY
P.O. BOX 891209
HOUSTON, TEXAS 77289
281.286.6605

New
Texas City High School
1501 NINTH AVENUE NORTH
TEXAS CITY, TEXAS 77590
Texas City Independent School District

ADD-01-05
0748
1" = 10'-0"
June 1, 2009
A6.16-0748.dwg